



□ AP280-240 Combination Strobe Light and Alarm Horn for Surface Mounted Laboratory Units

Application: Combination strobe light and alarm horn for indoor surface mounted laboratory units. Strobe light activates and alarm horn sounds loudly when surface mounted eye/face wash or shower is activated. Alarm horn and light unit is surface mounted on wall. Ideal for use in laboratory and clean room applications.

Installation: Unit is designed for use with surface mounted laboratory units. Combination light and alarm horn is surface mounted on wall. Flow switch and electrical wiring are located behind wall or below unit. 120 volt, 0.11 amp electrical supply is required.

Visual Signal: Amber strobe light with shatter-resistant lens.

Audible Signal: Horn delivers distinctive, urgent signal at 90 db.

Flow Switch: 1" IPS single pole, double throw waterproof flow switch for installation in water supply line to emergency unit. Switch senses flow of water when either the eye/face wash or shower is activated. Flow switch must be installed with tee fitting in horizontal position, flow switch body in vertical position and at least 6" from closest fitting. Direction of flow is marked on switch body.

Mounting: Furnished with corrosion-resistant surface box and hardware for mounting components on finished wall. Electrical connections by others.

Quality Assurance: All components are factory tested prior to shipment.

Additional Model

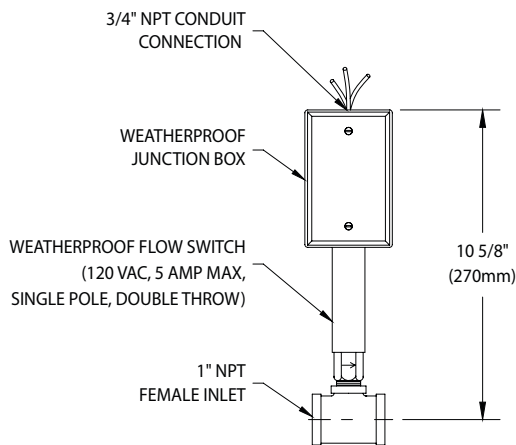
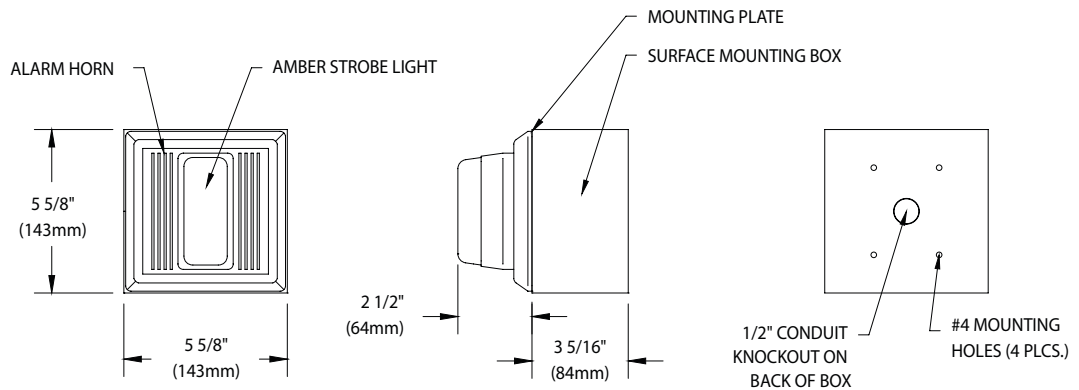
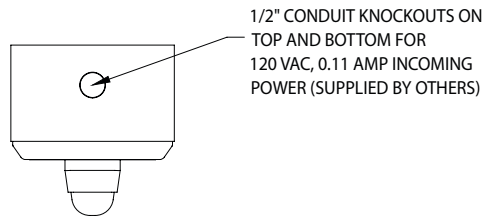
□ **AP280-245** Same as above except with double pole, double throw flow switch for connection to monitoring system. When emergency unit is actuated, light and horn activate and electrical signal is sent to remote monitoring location.



Distributed by:
Safety Emporium
PO Box 1003
Blackwood, NJ 08012
Ph: (866) 326-5412 toll-free
Fax: (856) 553-6154
esupport@safetyemporium.com
www.safetyemporium.com



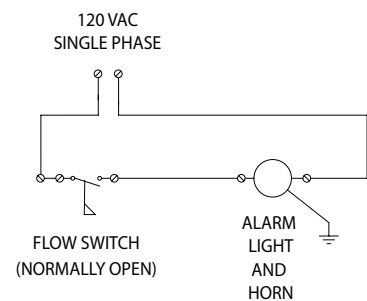
AP280-240 Combination Strobe Light and Alarm Horn for Surface Mounted Laboratory Units



NOTES:

1. FLOW SWITCH IS DESIGNED TO ACTIVATE AT 3.0 GPM AND DEACTIVATE AT 1.75 GPM.
2. FLOW SWITCH MUST BE INSTALLED VERTICALLY IN A HORIZONTAL PIPE RUN, UPSTREAM OF UNIT AND AT LEAST 6" FROM FITTING.
3. SOUND OUTPUT ON HORN IS 90 dB AT 10 FT.
4. WIRING BETWEEN COMPONENTS PROVIDED BY OTHERS.

WIRING SCHEMATIC



THIS SPACE FOR ARCHITECT/ENGINEER APPROVAL

Due to continuing product improvement, the information contained in this document is subject to change without notice. All dimensions are $\pm 1/4"$ (6mm). Rev.061419

Distributed by:
Safety Emporium
 PO Box 1003
 Blackwood, NJ 08012
 Ph: (866) 326-5412 toll-free
 Fax: (856) 553-6154
 esupport@safetyemporium.com
 www.safetyemporium.com