



**G1721** WideArea™ Eye/Face Wash, Wall Mounted, Stainless Steel Bowl and Skirt



**Application:** WideArea™ eye/face wash for wall mounting. Unit has stainless steel bowl and wrap-around skirt to conceal valve, drain and piping. Ideal for laboratories and other areas where clean, uncluttered appearance is desired. Four GS-Plus™ spray-type outlet heads deliver a flood of water over a wide area of coverage for complete rinsing of eyes and face.

**Spray Head Assembly:** Four GS-Plus™ spray heads. Each head has a “flip top” dust cover, internal flow control and filter to remove impurities from the water flow.

**Valve:** 1/2" IPS brass stay-open ball valve. Valve is US-made with chrome plated brass ball and PTFE seals.

**Bowl:** 11-1/8" diameter stainless steel with wrap-around skirt.

**Mounting:** Welded stainless steel wall bracket.

**Supply:** 1/2" NPT female inlet.

**Waste:** 1-1/4" NPT female outlet.

**Sign:** ANSI-compliant identification sign.

**Quality Assurance:** Unit is completely assembled and water tested prior to shipment.

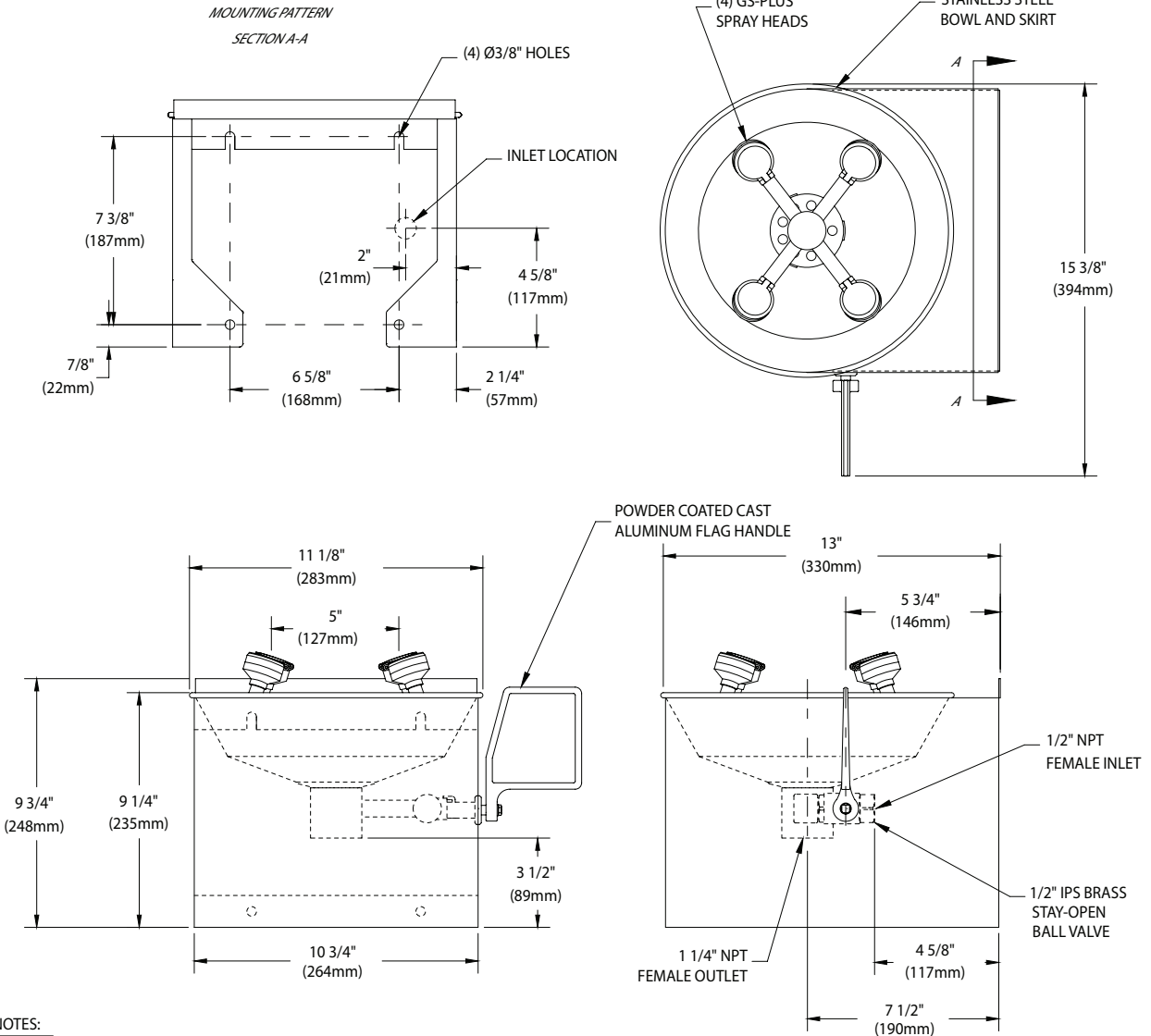
### Available Options

- HS** Auxiliary hand-held drench hose for rinsing eyes, face or body.
- T** Chrome plated brass tailpiece and trap with 1-1/2" IPS waste connection.
- TP** 1-1/2" OD chrome plated brass tailpiece.
- G6020** Thermostatic mixing valve precisely blends hot and cold water to deliver tepid water as required by ANSI Z358.1-2014. Refer to “Tempering Valves” section for complete technical and product selection information.

Distributed by:  
Safety Emporium  
PO Box 1003  
Blackwood, NJ 08012  
Ph: (866) 326-5412 toll-free  
Fax: (856) 553-6154  
esupport@safetyemporium.com  
www.safetyemporium.com



### □ G1721 WideArea™ Eye/Face Wash, Wall Mounted, Stainless Steel Bowl and Skirt



**NOTES:**

1. EACH GS-PLUS™ SPRAY HEAD HAS A "FLIP-TOP" DUST COVER, INTERNAL FLOW CONTROL AND FILTER TO REMOVE IMPURITIES FROM THE WATER FLOW.
2. UNIT SHOULD BE INSTALLED SUCH THAT WATER FLOW PATTERN IS POSITIONED BETWEEN 33" AND 53" ABOVE FLOOR.

THIS SPACE FOR ARCHITECT/ENGINEER APPROVAL

Due to continuing product improvement, the information contained in this document is subject to change without notice. All dimensions are ± 1/4" (6mm). rev. 081018

Distributed by:  
**Safety Emporium**  
 PO Box 1003  
 Blackwood, NJ 08012  
 Ph: (866) 326-5412 toll-free  
 Fax: (856) 553-6154  
 esupport@safetyemporium.com  
 www.safetyemporium.com

Sign Included

