



### □ G1814BC Eyewash, Wall Mounted, Stainless Steel Bowl and Cover



**Application:** Eyewash for wall mounting. Unit has stainless steel cover to protect bowl from dust, dirt and other contaminants. Two GS-Plus™ spray-type spray heads deliver a flood of water for rinsing eyes.

**Spray Head Assembly:** Two GS-Plus™ spray heads. Each head has an internal flow control and filter to remove impurities from the water flow.

**Valve:** 1/2" IPS chrome plated brass stay-open ball valve. Valve is US-made with chrome plated brass ball and Teflon® seals.

**Bowl:** 11-1/2" stainless steel with bowl cover. Cover is raised automatically when flag handle is activated. Cover closes when handle is returned to closed position.

**Mounting:** Heavy duty cast aluminum wall bracket with powder coated finish.

**Supply:** 1/2" NPT female inlet.

**Waste:** 1-1/4" NPT female outlet.

**Sign:** ANSI-compliant identification sign.

**Quality Assurance:** Unit is completely assembled and water tested prior to shipment.

#### Available Options

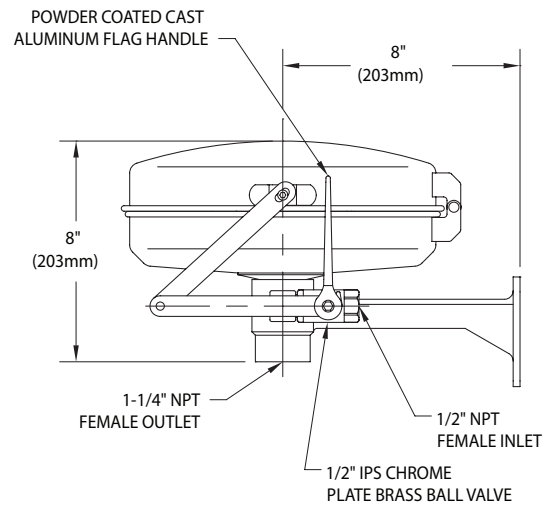
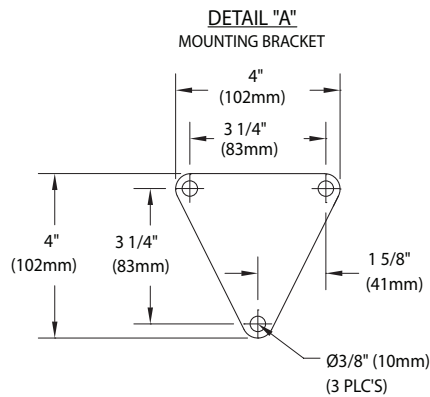
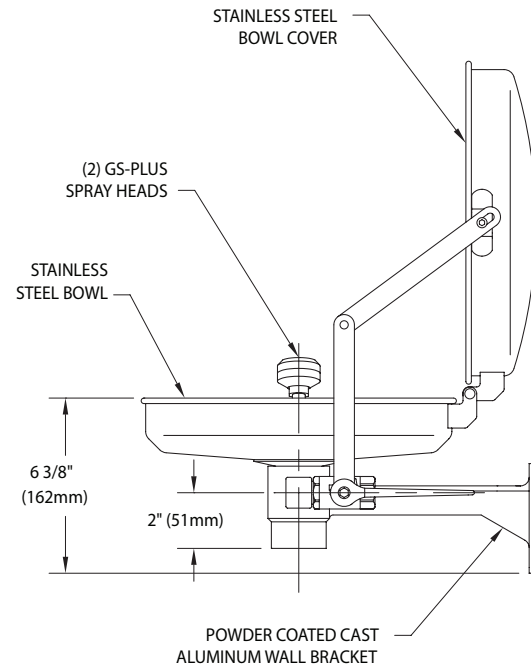
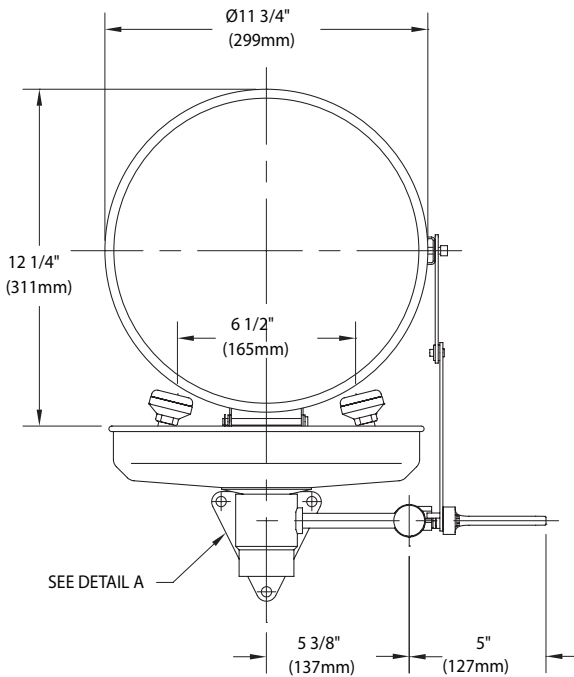
- **HS** Auxiliary hand-held drench hose for rinsing eyes, face or body.
- **T** Chrome plated brass tailpiece and trap with 1-1/2" IPS waste connection.
- **TP** 1-1/2" OD chrome plated brass tailpiece.
- **TMV** G3600LF thermostatic mixing valve precisely blends hot and cold water to deliver warm (tepid) water as required by ANSI Z358.1-2014. Refer to "Tempering Units" section for complete technical and product selection information.

Distributed by:  
Safety Emporium  
PO Box 1003  
Blackwood, NJ 08012

Ph: (866) 326-5412 toll-free  
Fax: (856) 553-6154  
esupport@safetyemporium.com  
www.safetyemporium.com



### G1814BC Eyewash, Wall Mounted, Stainless Steel Bowl and Cover



#### NOTES:

1. EACH GS-PLUS SPRAY HEAD HAS A "FLIP-TOP" DUST COVER, INTERNAL FLOW CONTROL AND FILTER TO REMOVE IMPURITIES FROM THE WATER FLOW.
2. UNIT SHOULD BE INSTALLED SO SPRAY HEADS ARE 33"-45"(838mm-1143mm) ABOVE FINISHED FLOOR.

THIS SPACE FOR ARCHITECT/ENGINEER APPROVAL

Due to continuing product improvement, the information contained in this document is subject to change without notice. All dimensions are ± 1/4" (6mm). rev. 0115

Sign Included

