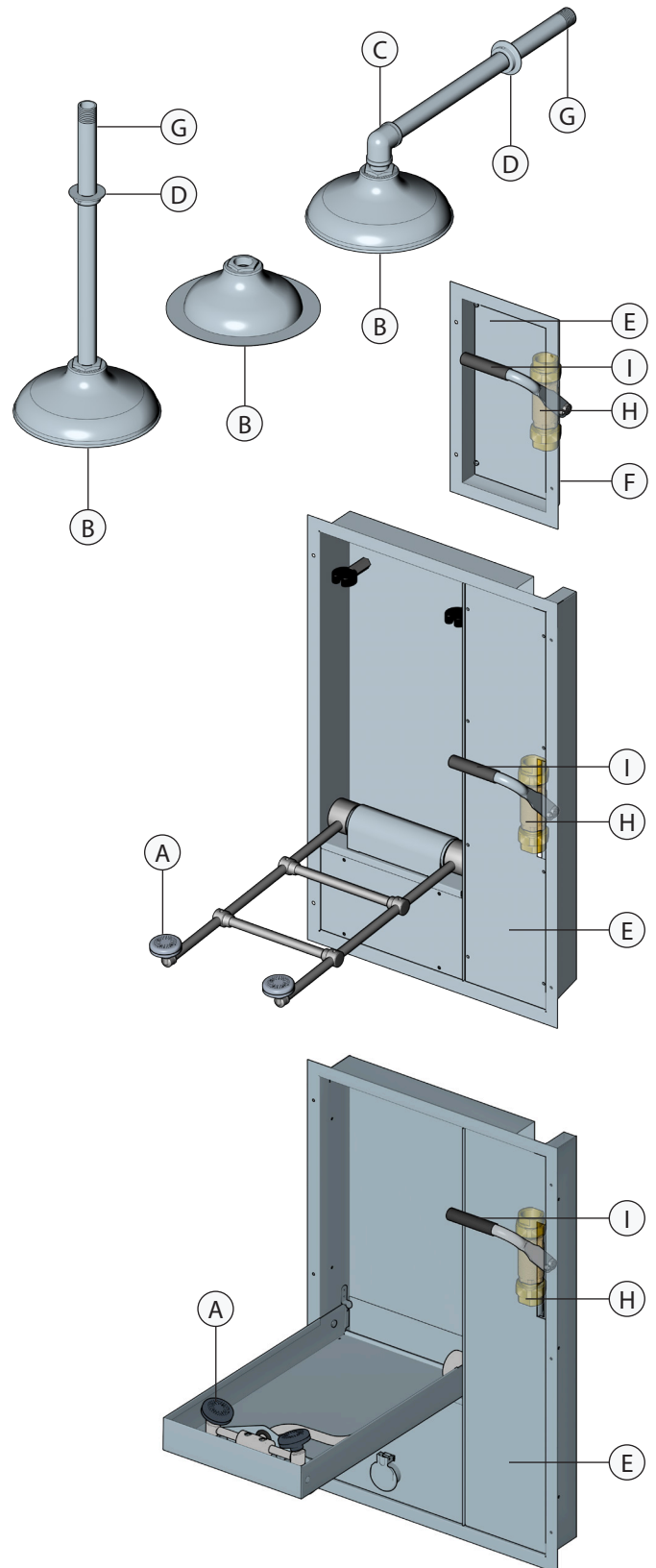




Item	Part Number	Description
A	AP470-021LDC	FS-Plus™ Spray Head
B	AP450-048	10" Dia. Stainless Steel Shower Head
	AP450-062	10" Dia. Recessed Flanged Stainless Steel Shower Head
	AP450-016	8" Dia. Chrome Plated Brass Shower Head
C	320-08SE	1" IPS Stainless Steel Street Elbow
	310-08SE	1" IPS Chrome Plated Brass Street Elbow
D	AP150-082B	Stainless Steel Escutcheon
E	200-038A	Shower Valve Access Panel for GBF2150 Series
	200-055	Shower Valve Access Panel for GBF1670 Series
	200-039A	Shower Valve Access Panel for GBF1735DP
	200-034A	Eyewash Valve And Drain Access Panel for GBF2150 Series & GBF1735DP
	AP200-034B	Eyewash Valve And Drain Access Panel for GBF2152 Series & GBF1735FDP
	150-117	1-1/2" Dia. Chrome Plated Brass Drain Elbow for GBF2152 Series & GBF1735FDP
	200-004A	Eyewash Valve And Drain Access Panel for GBF2100 Series & GBF1735
F	200-053	Housing for G1670 Series
G	520-08-37	1" IPS X 37" Stainless Steel Supply Nipple
	520-08-21	1" IPS X 21" Stainless Steel Supply Nipple
	510-08-37	1" IPS X 37" Chrome Plated Brass Supply Nipple
	510-08-21	1" IPS X 21" Chrome Plated Brass Supply Nipple
H	AP600-350	Shower Valve Assembly for GBF2100 & GBF1670 Series (Includes Valve, Valve Handle And Unions)
	AP600-355	Shower Valve Assembly for GBF2150 Series (Includes Valve, Valve Handle And Unions)
	AP250-054	Union Assembly (2 Required)
I	050-111R	Stainless Steel Handle With Grip
	050-112	Foam Grip for Valve Handle

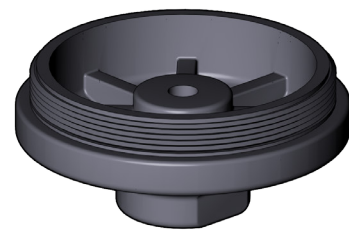
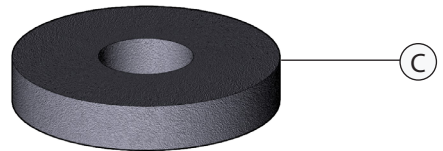
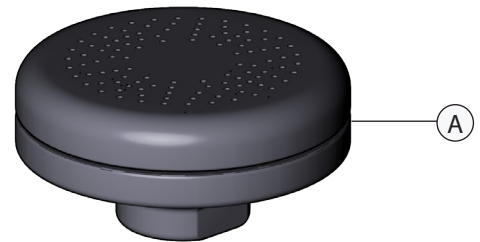




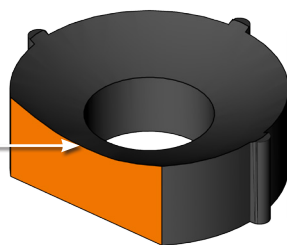
This Guardian Equipment product is equipped with FS-Plus™ spray heads. Each head features:

- Tough polypropylene plastic construction
- Highly visible integrated nylon dust cover
- Easily accessible 3.2 GPM flow control
- Dense (60 pore per inch) polyurethane filter
- Unique design provides a consistently soft, full spray of water across a range of working pressures from 30 to 100 psi.

Item	Part Number	Description
A	AP470-021LC	FS-Plus™ Spray Head (assembled)
B	470-026R	Cap
C	470-024R	60 PPI Polyurethane Filter
D	470-025R	3.2 GPM Flow Control



**IMPORTANT**  
In order to operate properly,  
the flow control must be  
inserted into the body concave  
end first



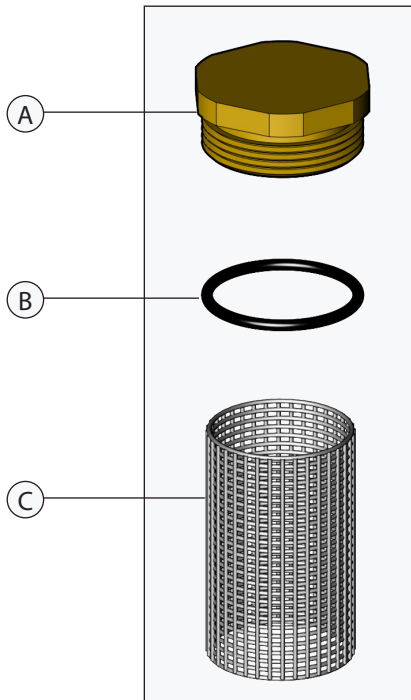


### To perform weekly cleaning of the strainer:

1. Unscrew the strainer bonnet (a).
2. Inspect the o-ring (b) for damage. Replace if needed.
3. Remove cylindrical screen (c) and rinse under clean water. Gently rub the screen until all debris has been removed.
4. Carefully reinsert screen into the counterbore within the strainer body (should fit snugly).
5. Replace strainer bonnet and test for proper operation of strainer and eye wash.

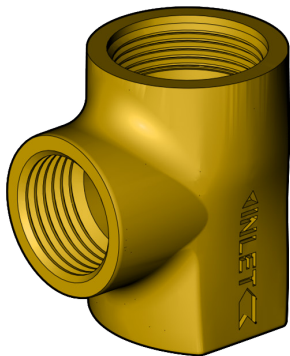
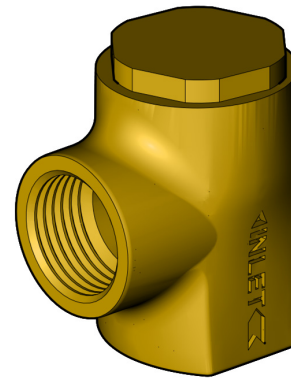
### Important:

All emergency equipment must be inspected and tested at least weekly to ensure proper operation. On units equipped with an in-line strainer, weekly inspection should also include checking the strainer for accumulation of debris or foreign matter. Such debris can impair the flow of water through the strainer and prevent the eye wash from functioning properly.



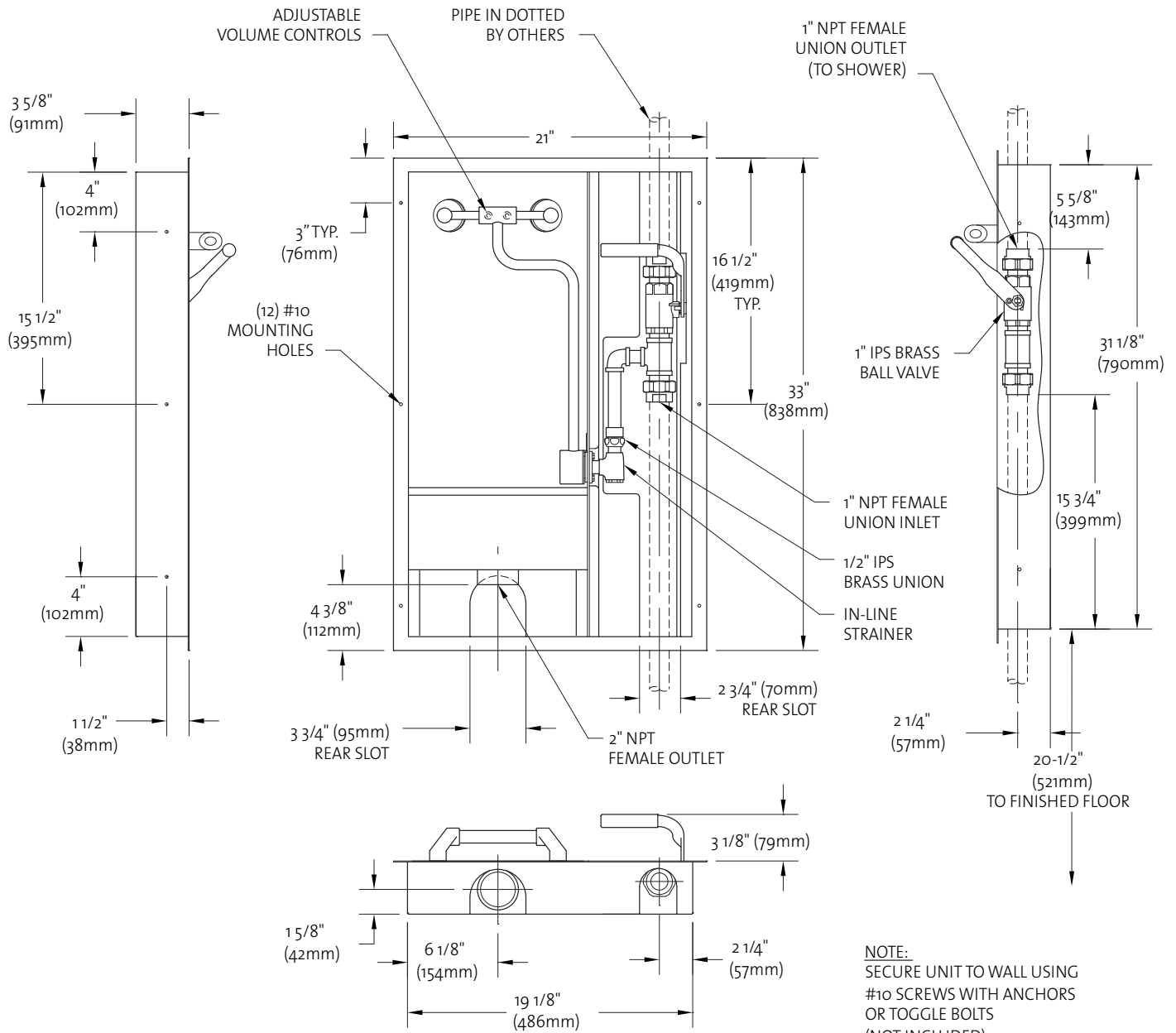
**RK400-013**  
Repair Kit for Inline Strainer  
consisting of bonnet,  
O-Ring and  
50 Mesh Cylindrical Screen

**AP400-013**  
In-Line Strainer Assembly



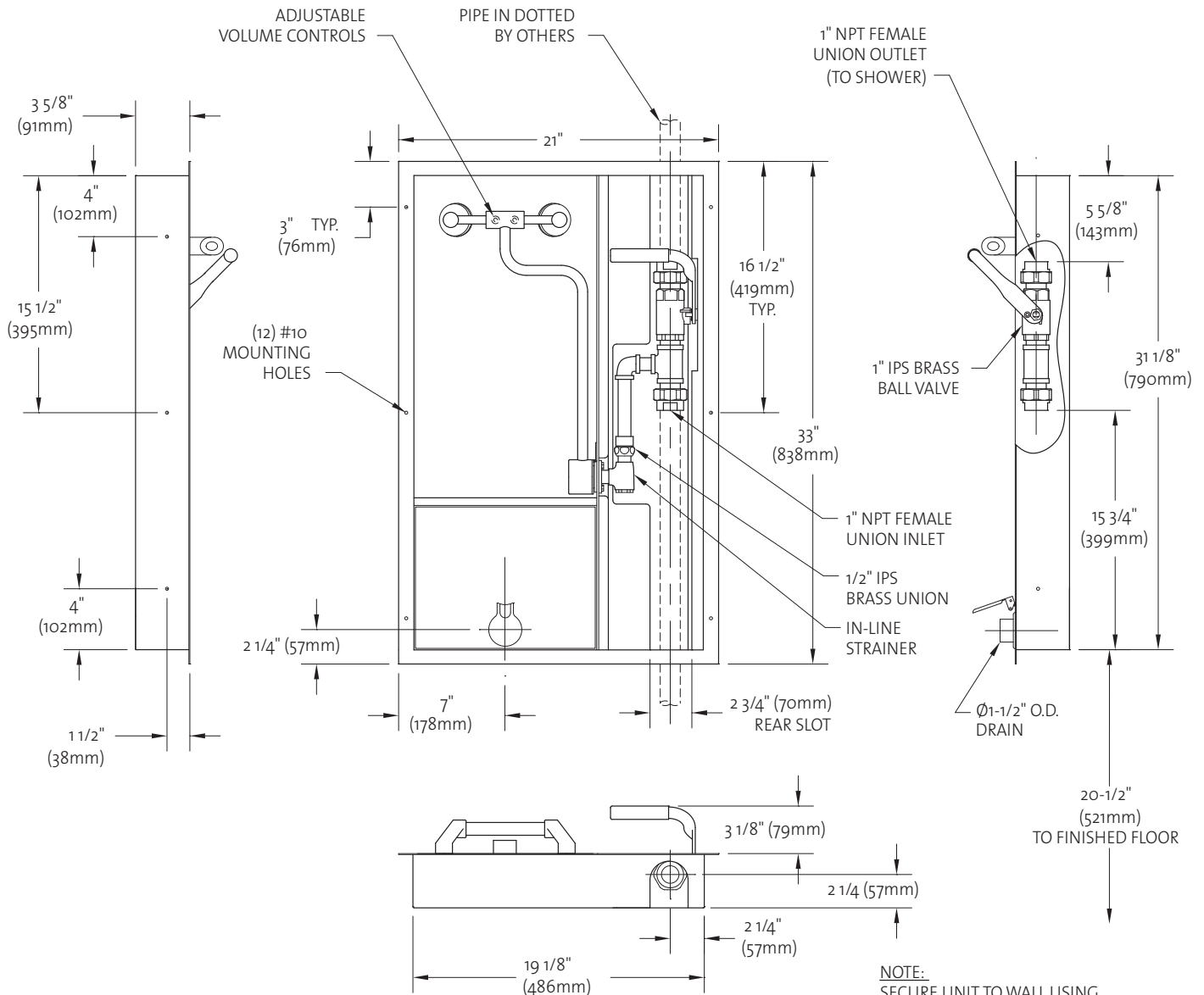


## Detail of GBF2150 Series Shower Valve and Eye/Face Wash Unit Internal Construction (With Covers and Drainpan Removed)





## Detail of GBF2152 Series Shower Valve and Eye/Face Wash Unit Internal Construction (With Covers and Drainpan Removed)



**NOTE:**  
SECURE UNIT TO WALL USING  
#10 SCREWS WITH ANCHORS  
OR TOGGLE BOLTS  
(NOT INCLUDED)