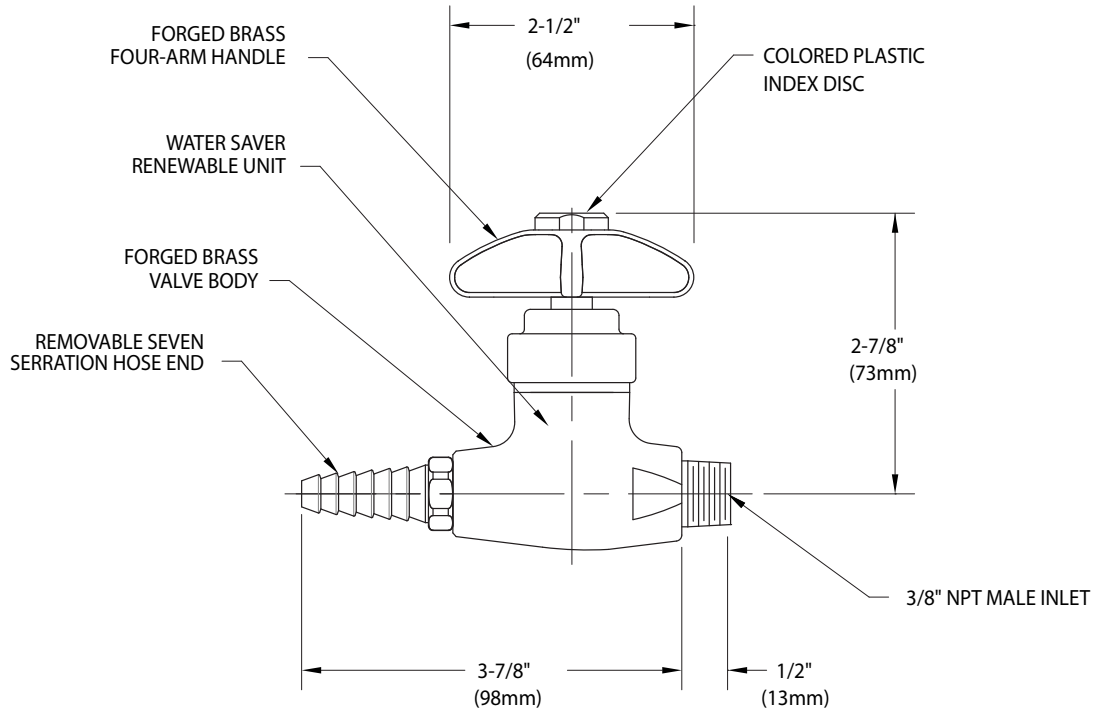
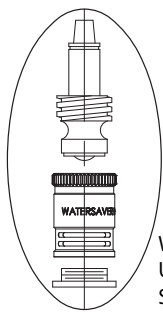


**L2800** Laboratory Water Valve, Straight Pattern



Distributed by:  
**Safety Emporium**  
[www.safetyemporium.com](http://www.safetyemporium.com)  
 Ph: (866) 326-5412  
[esupport@safetyemporium.com](mailto:esupport@safetyemporium.com)



WATER SAVER RENEWABLE UNIT WITH REPLACEABLE STAINLESS STEEL SEAT

**NOTES:**

1. VALVE IS CERTIFIED BY CSA INTERNATIONAL TO COMPLY WITH ASME A112.18.1M AND CSA B125.1.
2. VALVE IS FULLY ASSEMBLED AND FACTORY TESTED PRIOR TO SHIPMENT.
3. VALVE HAS A POLISHED CHROME PLATED FINISH.



Measurements may vary  $\pm 1/4$ ".