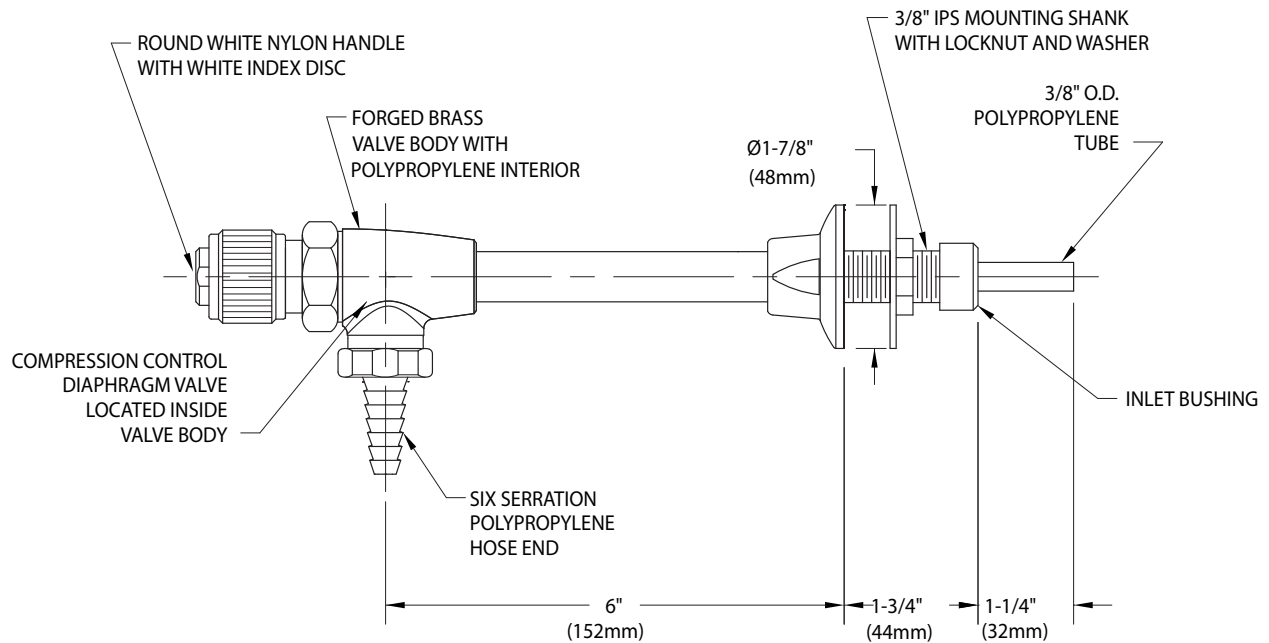


○ **L7834** Pure Water Faucet, Polypropylene-Lined, Panel Mounted



Distributed by:
 Safety Emporium
 PO Box 1003
 Blackwood, NJ 08012
 Ph: (866) 326-5412 toll-free
 Fax: (856) 553-6154
esupport@safetyemporium.com
www.safetyemporium.com

NOTES:

1. MAXIMUM WORKING PRESSURE IS 75 PSI.
2. ALL COMPONENTS IN CONTACT WITH PURE WATER ARE POLYPROPYLENE.
3. FIXTURE HAS A POLISHED CHROME PLATED FINISH.

Measurements may vary $\pm 1/4"$.