



Extreme Environment Shakers



Distributed by:
Safety Emporium
PO Box 1003
Blackwood, NJ 08012
Ph: (866) 326-5412 toll-free
Fax: (856) 553-6154
esupport@safetyemporium.com
www.safetyemporium.com

Designed to Withstand Extreme Environments up to 100% Humidity

Ideal for applications that require CO₂ and humidity for optimal cell growth, OHAUS Extreme Environment Shakers are designed for use in extreme environments such as CO₂ incubators. A remote controller, that magnetically attaches to the outside of most incubators, allows for external control of settings. The shaker base is placed inside of the incubator eliminating the need to open the door to change shaker settings, therefore keeping the chamber temperature constant and protecting samples. Microprocessor control ensures consistent shaking while safely ramping to the set speed.

Standard Features:

- **Accu-Drive Shaking System Ensures Accuracy and Speed Control**
The exclusive Accu-Drive shaking system utilizes dual-speed sensors to continuously monitor and maintain shaking speed—delivering exceptional speed control, accuracy and durability.
- **Control Settings Externally without Disturbing the Incubator Atmosphere**
The external control module allows for settings to be easily viewed or changed from outside of the incubator. The remote controller magnetically attaches to most incubators or can sit on a lab bench.
- **Touchpad Control With Independent LED Displays for Speed and Time**
Touchpad controls with independent LEDs for speed/time allow operator to view all settings at once. Timer displays elapsed time or when programmed to a set time, will turn off when time reaches zero.

Specifications Extreme Environment Shakers

Model	SHEX1619DG
Control	Digital
Motion	Orbital, 0.8 in. / 19 mm
Speed Range	15 rpm – 500 rpm
Speed Accuracy	± 1 rpm, Above 100 rpm ± 1% of set speed
Timer	1 second – 160 hours
Capacity	16 kg
Working Environment	14 °F – 140 °F, 100% RH* / -10 °C – 60 °C, 100% RH
Drive System	Brushless DC Motor; Triple Eccentric
Communication	RS232 (Included)
Tray Size (L × W)	11 in. × 13 in. / 279 mm × 330 mm
Tray Construction	Aluminum
Dimensions (H × L × W)	5.9 in. × 11.6 in. × 14 in. / 149 mm × 294 mm × 355 mm
Net Weight	48.1 lb / 21.8 kg
Power	120V, 0.5A, 50/60Hz
Power Consumption	30 W

*Relative Humidity

Other Standard Features and Equipment

Built-in tray with a non-slip rubber mat (included)

Compliance

- **Product Safety:** CAN/CSA C22.2 61010-1, CAN/CSA C22.2 61010-2-051, UL 61010-1
- **Electromagnetic Compatibility:** ICES-003 Class A, FCC Part 15 Class A
- **Compliance Marks:** TÜV SÜD

Distributed by:

Safety Emporium

PO Box 1003

Blackwood, NJ 08012

Ph: (866) 326-5412 toll-free

Fax: (856) 553-6154

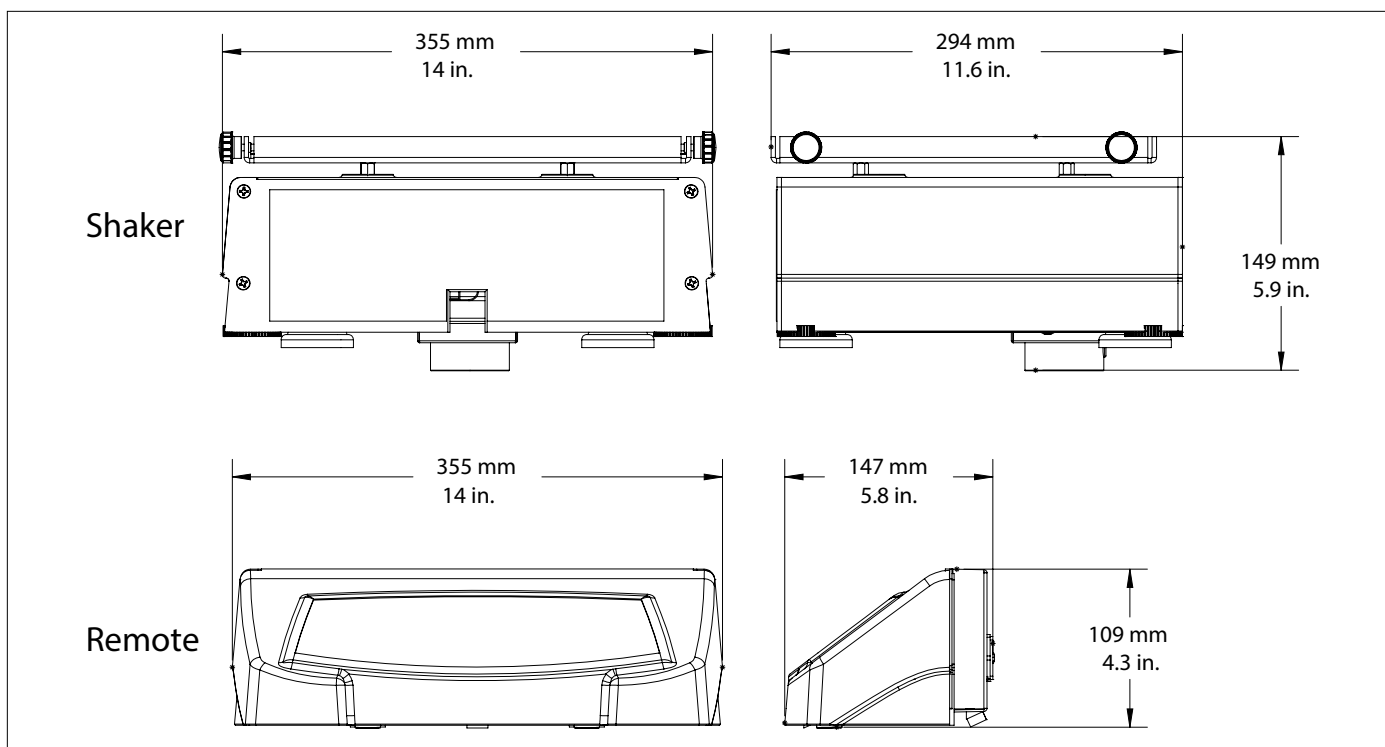
esupport@safetyemporium.com

www.safetyemporium.com

Applications

Cell Cultures, solubility studies, extraction procedures, bacteria and yeast cultures and suspensions, staining/destaining, immunoassays, protein studies, blotting techniques

Dimensions



Accessories Extreme Environment Shakers

Platforms for OHAUS Extreme Environment Shaker		
Item No.	Description	SHEX1619DG
30400052	Universal Platform, 28 × 33 cm, S/S	Not Stackable
30400053	Universal Platform, 33 × 33 cm, S/S	Not Stackable
30400054	Universal Platform, 46 × 46 cm, S/S	Stackable*
30400056	Universal Platform, 61 × 46 cm, S/S	Stackable*
30400066	Culture Platform with Mat, 46 × 46 cm	Stackable*
30400067	Culture Platform with Mat, 46 × 61 cm	Stackable*
30400068	Adjustable Platform, 46 × 46 cm	Not Stackable
30400075	Dedicated Platform, 33 × 33 cm, 125 mL	Not Stackable
30400076	Dedicated Platform, 33 × 33 cm, 250 mL	Not Stackable
30400077	Dedicated Platform, 33 × 33 cm, 500 mL	Not Stackable
30400078	Dedicated Platform, 33 × 33 cm, 1000 mL	Not Stackable
30400079	Dedicated Platform, 46 × 46 cm, 125 mL	Stackable*
30400080	Dedicated Platform, 46 × 46 cm, 250 mL	Stackable*
30400081	Dedicated Platform, 46 × 46 cm, 500 mL	Stackable*
30400082	Dedicated Platform, 46 × 46 cm, 1000 mL	Stackable*
30400083	Separatory Funnel Platform 46 × 46 cm	Not Stackable
30400051	Double Tier Braces, Set of 4	1

*To stack platforms select (2) stackable platforms of the same size and (1) tier brace kit (Item No. 30400051)

Accessories for Universal Platform, 28 × 33 cm, S/S (Item No. 30400052)		
Item No.	Description	Max. per Platform
30400084	Flask Clamp, 10 mL	60
30400085	Flask Clamp, 25 mL	25
30400086	Flask Clamp, 50 mL	13
30400087	Flask Clamp, 125 mL	10
30400088	Flask Clamp, 250 mL	9
30400089	Flask Clamp, 500 mL	7
30400090	1 Liter Erlenmeyer Flask Clamp	4
30400097	500 mL Media Bottle Clamp	5
30400098	1000 mL Media Bottle Clamp	2
30400099	Flask Clamp PVC 125 mL	10
30400100	Flask Clamp PVC 250 mL	8
30400101	Flask Clamp PVC 500 mL	5
30400102	Flask Clamp PVC 1000 mL	2
30400105	Test Tube Rack 13 mm Pivoting	1
30400106	Test Tube Rack 16 mm Pivoting	1
30400107	Test Tube Rack 20 mm Pivoting	1
30400108	Test Tube Rack 25 mm Pivoting	1
30400109	Test Tube Rack 30 mm Pivoting	1
30400114	Micro Tube Rack	2
30400115	Test Tube Rack 10-13 mm Diameter	2
30400116	Test Tube Rack 14-16 mm Diameter	2
30400117	Test Tube Rack 18-20 mm Diameter	2
30400118	Test Tube Rack 22-25 mm Diameter	2
30400119	Test Tube Rack For 15 mL Tubes	2
30400120	Test Tube Rack For 50 mL Tubes	2
30400104	Clamp Microplate Stainless Steel	4
30400060	Rubber Mat, 28 × 33 cm	1



Accessories for Universal Platform, 33 × 33 cm, S/S (Item No. 30400053)		
Item No.	Description	Max. per Platform
30400084	Flask Clamp, 10 mL	60
30400085	Flask Clamp, 25 mL	30
30400086	Flask Clamp, 50 mL	15
30400087	Flask Clamp, 125 mL	12
30400088	Flask Clamp, 250 mL	12
30400089	Flask Clamp, 500 mL	8
30400090	1 Liter Erlenmeyer Flask Clamp	4
30400091	2 Liter Erlenmeyer Flask Clamp	3
30400092	2.8 Liter Erlenmeyer Flask Clamp	1
30400093	3 Liter Erlenmeyer Flask Clamp	1
30400094	4 Liter Erlenmeyer Flask Clamp	1
30400095	5 Liter Erlenmeyer Flask Clamp	1
30400096	6 Liter Erlenmeyer Flask Clamp	1
30400097	500 mL Media Bottle Clamp	6
30400098	1000 mL Media Bottle Clamp	5
30400099	Flask Clamp PVC 125 mL	12
30400100	Flask Clamp PVC 250 mL	10
30400101	Flask Clamp PVC 500 mL	6
30400102	Flask Clamp PVC 1000 mL	4
30400103	Flask Clamp PVC 2000 mL	3
30400105	Test Tube Rack 13 mm Pivoting	2
30400106	Test Tube Rack 16 mm Pivoting	2
30400107	Test Tube Rack 20 mm Pivoting	2
30400108	Test Tube Rack 25 mm Pivoting	2
30400109	Test Tube Rack 30 mm Pivoting	2
30400114	Micro Tube Rack	2
30400115	Test Tube Rack 10-13 mm Diameter	2
30400116	Test Tube Rack 14-16 mm Diameter	2
30400117	Test Tube Rack 18-20 mm Diameter	2
30400118	Test Tube Rack 22-25 mm Diameter	2
30400119	Test Tube Rack For 15 mL Tubes	2
30400120	Test Tube Rack For 50 mL Tubes	2
30400104	Clamp Microplate Stainless Steel	6
30400061	Rubber Mat, 33 × 33 cm	1

Accessories Extreme Environment Shakers

Accessories for Universal Platform, 46 × 46 cm, S/S (Item No. 30400054)

Item No.	Description	Max. per Platform
30400084	Flask Clamp, 10 mL	113
30400085	Flask Clamp, 25 mL	64
30400086	Flask Clamp, 50 mL	32
30400087	Flask Clamp, 125 mL	20
30400088	Flask Clamp, 250 mL	20
30400089	Flask Clamp, 500 mL	13
30400090	1 Liter Erlenmeyer Flask Clamp	8
30400091	2 Liter Erlenmeyer Flask Clamp	5
30400092	2.8 Liter Erlenmeyer Flask Clamp	2
30400093	3 Liter Erlenmeyer Flask Clamp	2
30400094	4 Liter Erlenmeyer Flask Clamp	4
30400095	5 Liter Erlenmeyer Flask Clamp	4
30400096	6 Liter Erlenmeyer Flask Clamp	2
30400097	500 mL Media Bottle Clamp	16
30400098	1000 mL Media Bottle Clamp	10
30400099	Flask Clamp PVC 125 mL	20
30400100	Flask Clamp PVC 250 mL	18
30400101	Flask Clamp PVC 500 mL	12
30400102	Flask Clamp PVC 1000 mL	8
30400103	Flask Clamp PVC 2000 mL	4
30400105	Test Tube Rack 13 mm Pivoting	2
30400106	Test Tube Rack 16 mm Pivoting	2
30400107	Test Tube Rack 20 mm Pivoting	2
30400108	Test Tube Rack 25 mm Pivoting	2
30400109	Test Tube Rack 30 mm Pivoting	2
30400110	Test Tube Rack 10-14 mm Stationary	3
30400111	Test Tube Rack 16-20 mm Stationary	3
30400112	Test Tube Rack 21-25 mm Stationary	3
30400113	Test Tube Rack 50 mL Tubes Stationary	3
30400114	Micro Tube Rack	4
30400115	Test Tube Rack 10-13 mm Diameter	4
30400116	Test Tube Rack 14-16 mm Diameter	4
30400117	Test Tube Rack 18-20 mm Diameter	4
30400118	Test Tube Rack 22-25 mm Diameter	4
30400119	Test Tube Rack For 15 mL Tubes	4
30400120	Test Tube Rack For 50 mL Tubes	4
30400104	Clamp Microplate Stainless Steel	12
30400062	Rubber Mat, 46 × 46 cm	1
30400051	Double Tier Braces, Set of 4	1

Accessories for Universal Platform, 61 × 46 cm, S/S (Item No. 30400056)

Item No.	Description	Max. per Platform
30400084	Flask Clamp, 10 mL	158
30400085	Flask Clamp, 25 mL	88
30400086	Flask Clamp, 50 mL	44
30400087	Flask Clamp, 125 mL	28
30400088	Flask Clamp, 250 mL	28
30400089	Flask Clamp, 500 mL	20
30400090	1 Liter Erlenmeyer Flask Clamp	12
30400091	2 Liter Erlenmeyer Flask Clamp	6
30400092	2.8 Liter Erlenmeyer Flask Clamp	3
30400093	3 Liter Erlenmeyer Flask Clamp	3
30400094	4 Liter Erlenmeyer Flask Clamp	4
30400095	5 Liter Erlenmeyer Flask Clamp	4
30400096	6 Liter Erlenmeyer Flask Clamp	3
30400097	500 mL Media Bottle Clamp	20
30400098	1000 mL Media Bottle Clamp	13
30400099	Flask Clamp PVC 125 mL	28
30400100	Flask Clamp PVC 250 mL	25
30400101	Flask Clamp PVC 500 mL	16
30400102	Flask Clamp PVC 1000 mL	10
30400103	Flask Clamp PVC 2000 mL	6
30400105	Test Tube Rack 13 mm Pivoting	3
30400106	Test Tube Rack 16 mm Pivoting	3
30400107	Test Tube Rack 20 mm Pivoting	3
30400108	Test Tube Rack 25 mm Pivoting	3
30400109	Test Tube Rack 30 mm Pivoting	3
30400110	Test Tube Rack 10-14 mm Stationary	5
30400111	Test Tube Rack 16-20 mm Stationary	5
30400112	Test Tube Rack 21-25 mm Stationary	5
30400113	Test Tube Rack 50 mL Tubes Stationary	5
30400114	Micro Tube Rack	6
30400115	Test Tube Rack 10-13 mm Diameter	6
30400116	Test Tube Rack 14-16 mm Diameter	6
30400117	Test Tube Rack 18-20 mm Diameter	6
30400118	Test Tube Rack 22-25 mm Diameter	6
30400119	Test Tube Rack For 15 mL Tubes	6
30400120	Test Tube Rack For 50 mL Tubes	6
30400104	Clamp Microplate Stainless Steel	18
30400063	Rubber Mat, 46 × 61 cm	1
30400051	Double Tier Braces, Set of 4	1



30400085
Flask Clamp, 25 mL



30400096
6 Liter Erlenmeyer Flask Clamp



30400105
Test Tube Rack, 13 mm Pivoting



30400062
Rubber Mat, 46 × 46 cm



30400097
500 mL Media Bottle Clamp



30400114
Micro Tube Rack

OHAUS CORPORATION

7 Campus Drive
Suite 310
Parsippany, NJ 07054 USA

Tel: 800.672.7722
973.377.9000
Fax: 973.944.7177

www.ohaus.com

*The management system
governing the manufacture
of this product is
ISO 9001:2015 certified.*

