

BADGER

Brigade "Heavy Duty" Extinguisher Vehicle Brackets Description & Dimensions



Brigade "Heavy Duty" Extinguisher Brackets

The Badger Brigade "Heavy Duty" fire extinguisher vehicle brackets are constructed from quality fabricated steel stock that is externally finished with a corrosion resistant black polyester epoxy paint, to extend service life in harsh outdoor environments.

These brackets all feature release latches and adjustable retention arm Tee-bolts made from stainless steel. The B-20 and B-30 models additionally feature locking stainless steel ring pins for added extinguisher security when properly installed upon mobile applications.

For ease of field installation and replacement, the bracket back brace and bottom plates come with factory pre-drilled mounting hole patterns that accommodate many existing applications.

Each bracket is permanently marked with the applicable part number and designation for addressing USCG compliance requirements with listed and approved cartridge operated fire extinguisher models.

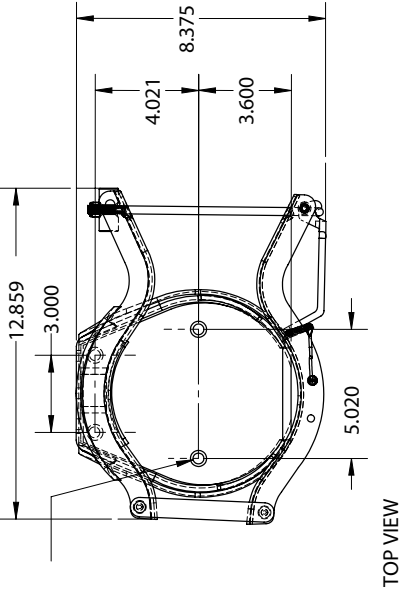


Bracket	P/N	Shipping Weight	Extinguisher Applications
B-10	466541	7 lbs (3.2 kg)	10# Brigade OCU models
B-20	466542	13 lbs (5.9 kg)	20# Brigade OCU models
B-30	466543	15 lbs (6.8 kg)	30# Brigade OCU models

Distributed by:
Safety Emporium
PO Box 1003
Blackwood, NJ 08012
Ph: (866) 326-5412 toll-free
Fax: (856) 553-6154
esupport@safetyemporium.com
www.safetyemporium.com

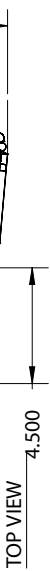
Badger Fire Protection
944 Glenwood Station Lane, Suite 303, Charlottesville, VA 22901
Tel.: 434.964.3200 • Fax: 434.964.3202 • www.badgerfire.com

BADGER BRIGADE VEHICLE BRACKET DIMENSIONS



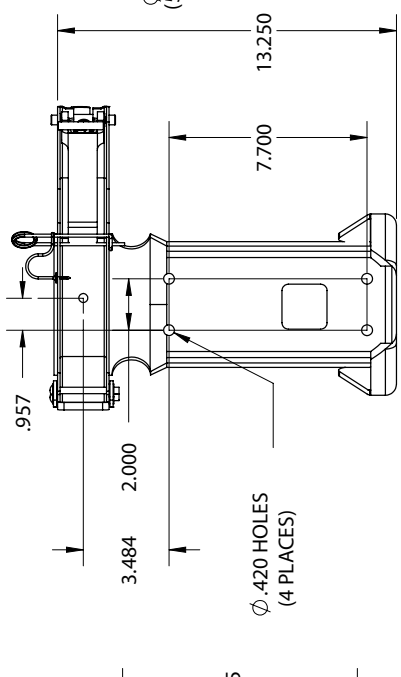
Ø .300 HOLES
(4 PLACES)

TOP VIEW



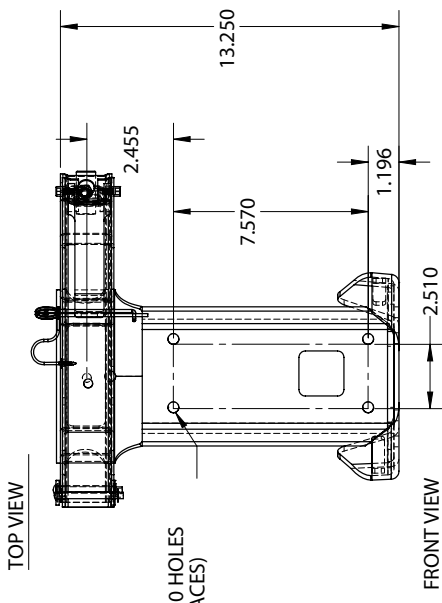
Ø .300 HOLES
(4 PLACES)

FRONT VIEW



Ø .420 HOLES
(4 PLACES)

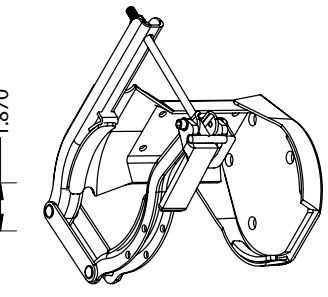
FRONT VIEW



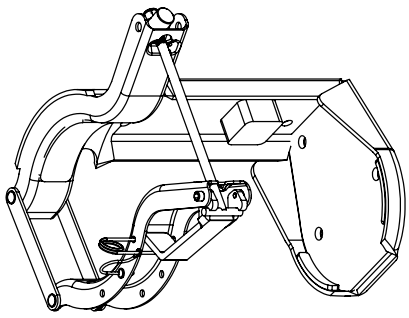
Ø .420 HOLES
(5 PLACES)

FRONT VIEW

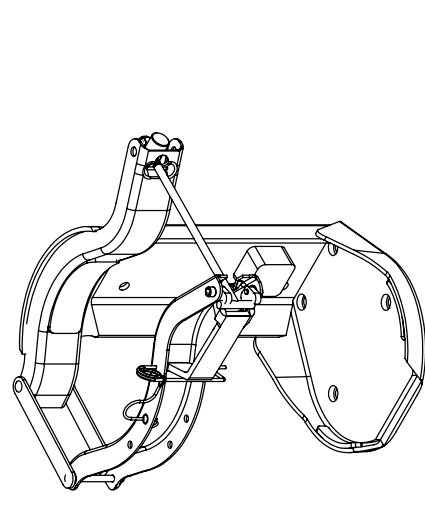
TOP VIEW



B-10 BRACKET P/N-466541



B-20 BRACKET-466542



B-30 BRACKET P/N 466543

This information is subject to change without notice. Badger Fire Protection disclaims any liability for any errors or misinterpretations of the information contained therein. Contact Badger Fire Protection for your local distributor for assistance.