

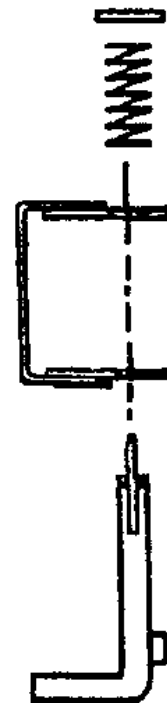
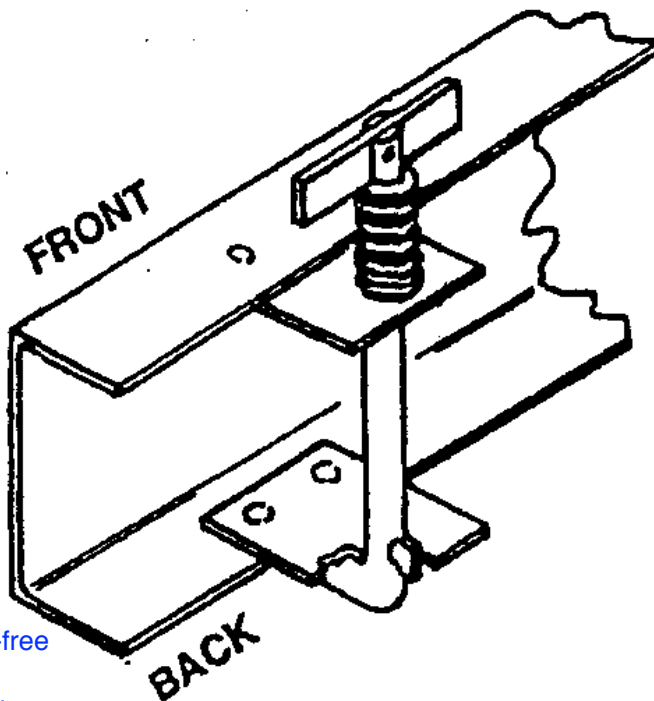
FILTER LOCKING HANDLE

ASSEMBLY INSTRUCTIONS

1. Turn locking bar handle to vertical position.
2. Insert locking bar through bracket holes from back side of filter.
3. With the locking bar in the locked position (as shown), slip the spring over the vertical locking bar handle.
4. Compress the spring and slip the washer over the vertical locking bar handle.
5. Continue to compress the washer and spring. Rotate the locking bar handle to a horizontal "T" position and release the washer spring pressure.

OPERATING INSTRUCTIONS

Push inward on the "T" shaped locking handle and turn to open.



Distributed by:
Safety Emporium
PO Box 1003
Blackwood, NJ 08012
Ph: (866) 326-5412 toll-free
Fax: (856) 553-6154
esupport@safetyemporium.com
www.safetyemporium.com