



□ G1781 Eye/Face Wash, Wall Mounted, All-Stainless Steel



Distributed by:
Safety Emporium
PO Box 1003
Blackwood, NJ 08012
Ph: (866) 326-5412 toll-free
Fax: (856) 553-6154
esupport@safetyemporium.com
www.safetyemporium.com

Application: Eye/face wash for wall mounting. Constructed entirely in stainless steel. Ideal for use in highly corrosive environments and clean room applications. Two large FS-Plus™ spray-type outlet heads deliver a flood of water for rinsing eyes and face.

Spray Head Assembly: Two FS-Plus™ spray heads. Each head has a “flip top” dust cover, internal flow control and filter to remove impurities from the water flow.

Valve: 1/2" IPS stainless steel stay-open ball valve. Valve has stainless steel ball and Teflon® seals.

Bowl: 11-1/2" diameter stainless steel.

Mounting: Heavy duty stainless steel wall bracket.

Supply: 1/2" NPT female inlet.

Waste: 1-1/4" NPT female outlet.

Sign: ANSI-compliant identification sign.

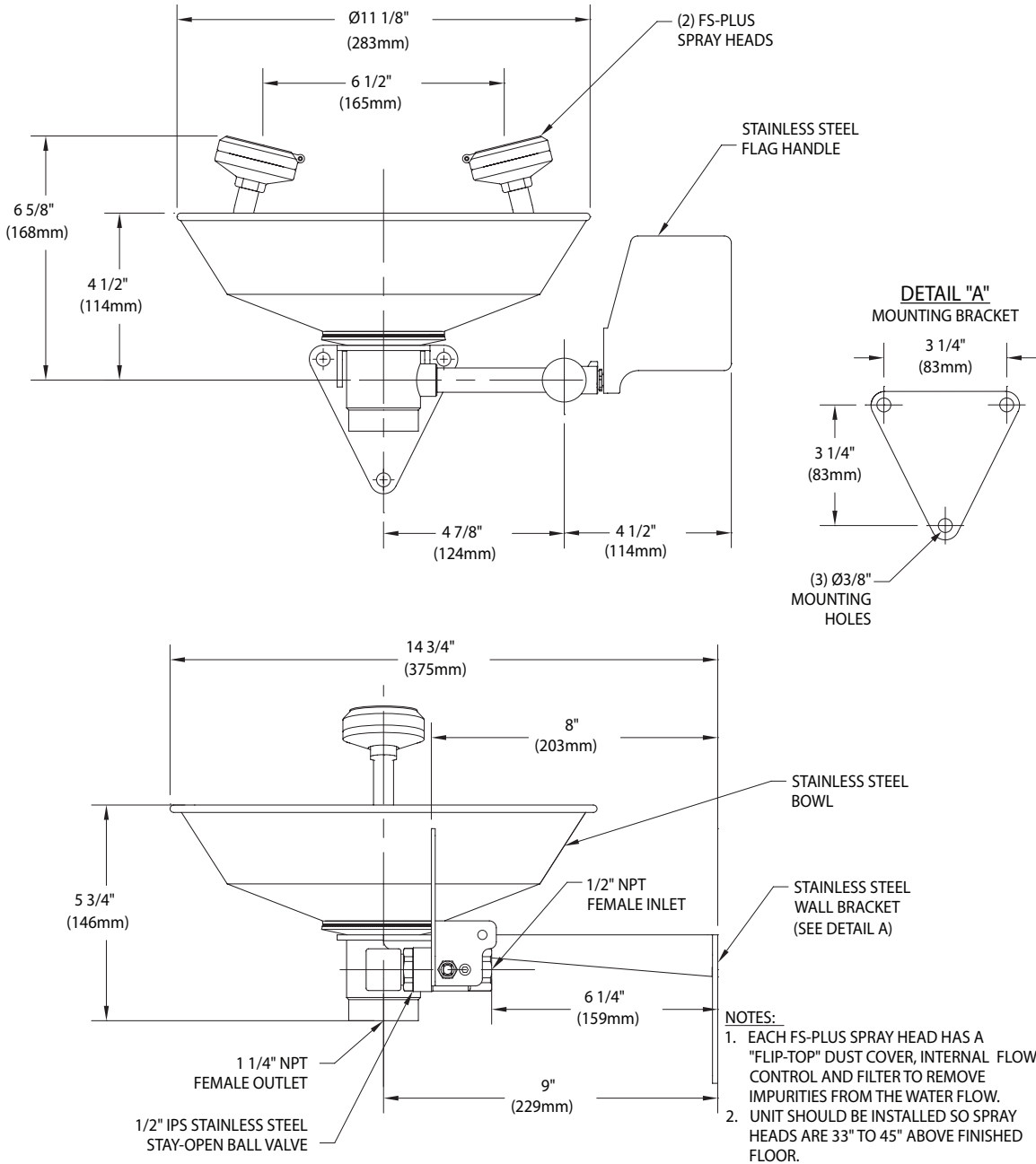
Quality Assurance: Unit is completely assembled and water tested prior to shipment.

Available Options

- **BC** Stainless steel bowl cover. Cover protects unit against contaminants. Cover is automatically raised when unit is activated.
- **DC** Stainless steel dust cover for each spray head.
- **T** Chrome plated brass tailpiece and trap with 1-1/2" IPS waste connection.
- **TP** 1-1/2" OD chrome plated brass tailpiece.
- **TMV** G3600LF thermostatic mixing valve precisely blends hot and cold water to deliver warm (tepid) water as required by ANSI Z358.1-2014. Refer to “Tempering Units” section for complete technical and product selection information.



G1781 Eye/Face Wash, Wall Mounted, All-Stainless Steel



THIS SPACE FOR ARCHITECT/ENGINEER APPROVAL

Due to continuing product improvement, the information contained in this document is subject to change without notice. All dimensions are $\pm 1/4"$ (6mm). rev. 0115

Sign Included

