



- G1790** WideArea™ Eye/Face Wash, Wall Mounted, PVC Construction with Stainless Steel Valve



Application: WideArea™ eye/face wash for wall mounting. Unit is constructed of PVC, PVC-coated components and a stainless steel valve for superior corrosion resistance. Ideal for use in industrial environments where harsh acids or caustics are present. Four GS-Plus™ spray-type outlet heads deliver a flood of water over a wide area of coverage for complete rinsing of eyes and face.

Spray Head Assembly: Four GS-Plus™ spray heads. Each head has a “flip top” dust cover, internal flow control and filter to remove impurities from the water flow.

Valve: 1/2" IPS Type 316 stainless steel stay-open ball valve. Valve has stainless steel ball and PTFE seals.

Bowl: 11-3/4" diameter orange ABS plastic.

Mounting: Heavy duty PVC wall bracket.

Supply: 1/2" NPT female inlet.

Waste: 1-1/2" socket weld female outlet.

Sign: ANSI-compliant identification sign.

Quality Assurance: Unit is completely assembled and water tested prior to shipment.

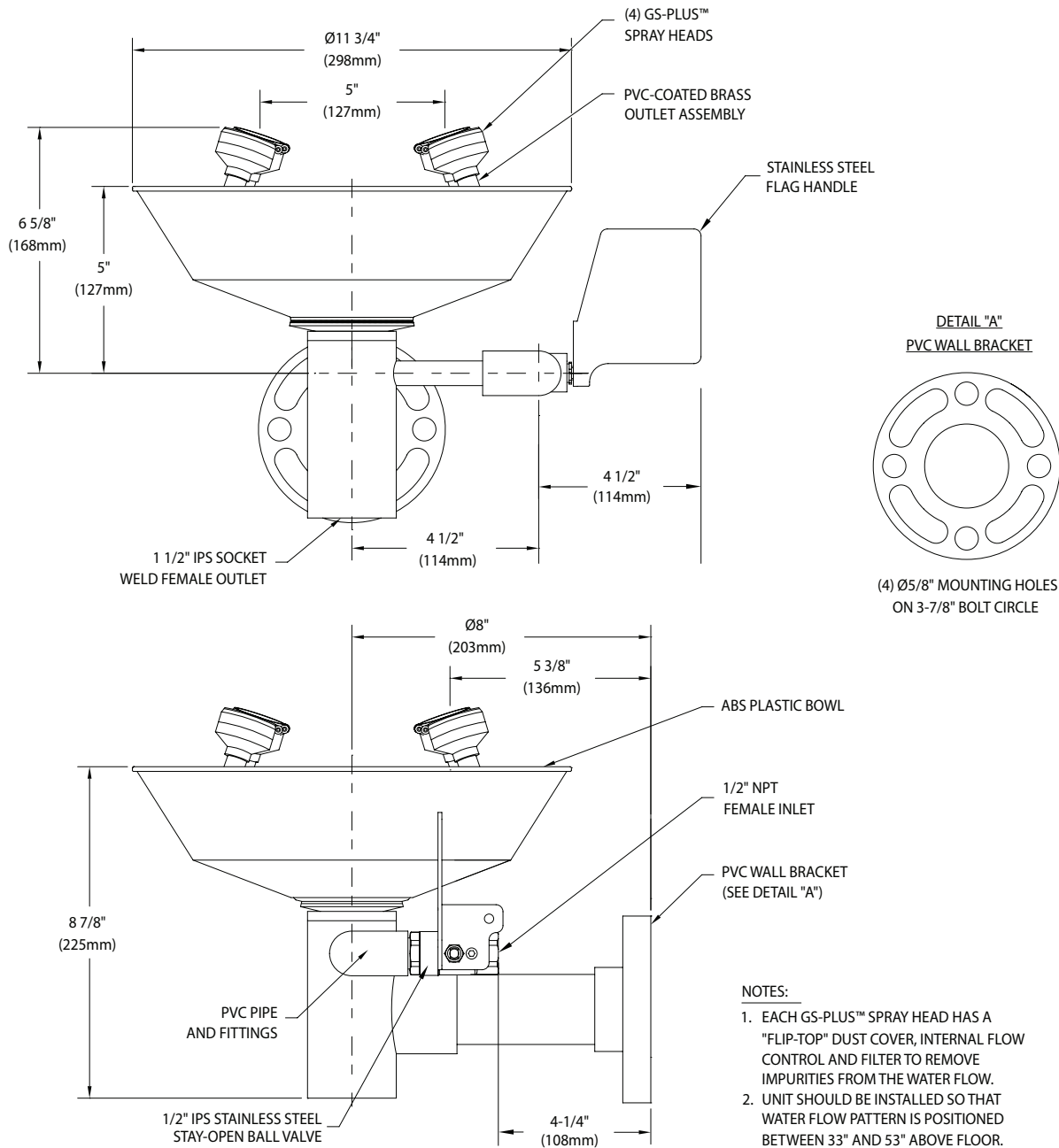
Available Options

- G6020** Thermostatic mixing valve precisely blends hot and cold water to deliver tepid water as required by ANSI Z358.1-2014. Refer to “Thermostatic Mixing Valves” section for complete technical and product selection information.
- GRN** Green ABS plastic bowl.
- YEL** Yellow ABS plastic bowl.

Distributed by:
Safety Emporium
PO Box 1003
Blackwood, NJ 08012
Ph: (866) 326-5412 toll-free
Fax: (856) 553-6154
esupport@safetyemporium.com
www.safetyemporium.com



□ G1790 WideArea™ Eye/Face Wash, Wall Mounted, PVC Construction with Stainless Steel Valve



THIS SPACE FOR ARCHITECT/ENGINEER APPROVAL

Due to continuing product improvement, the information contained in this document is subject to change without notice. All dimensions are ± 1/4" (6mm). rev. 031023

Distributed by:
Safety Emporium
 PO Box 1003
 Blackwood, NJ 08012
 Ph: (866) 326-5412 toll-free
 Fax: (856) 553-6154
 esupport@safetyemporium.com
 www.safetyemporium.com

Sign Included

