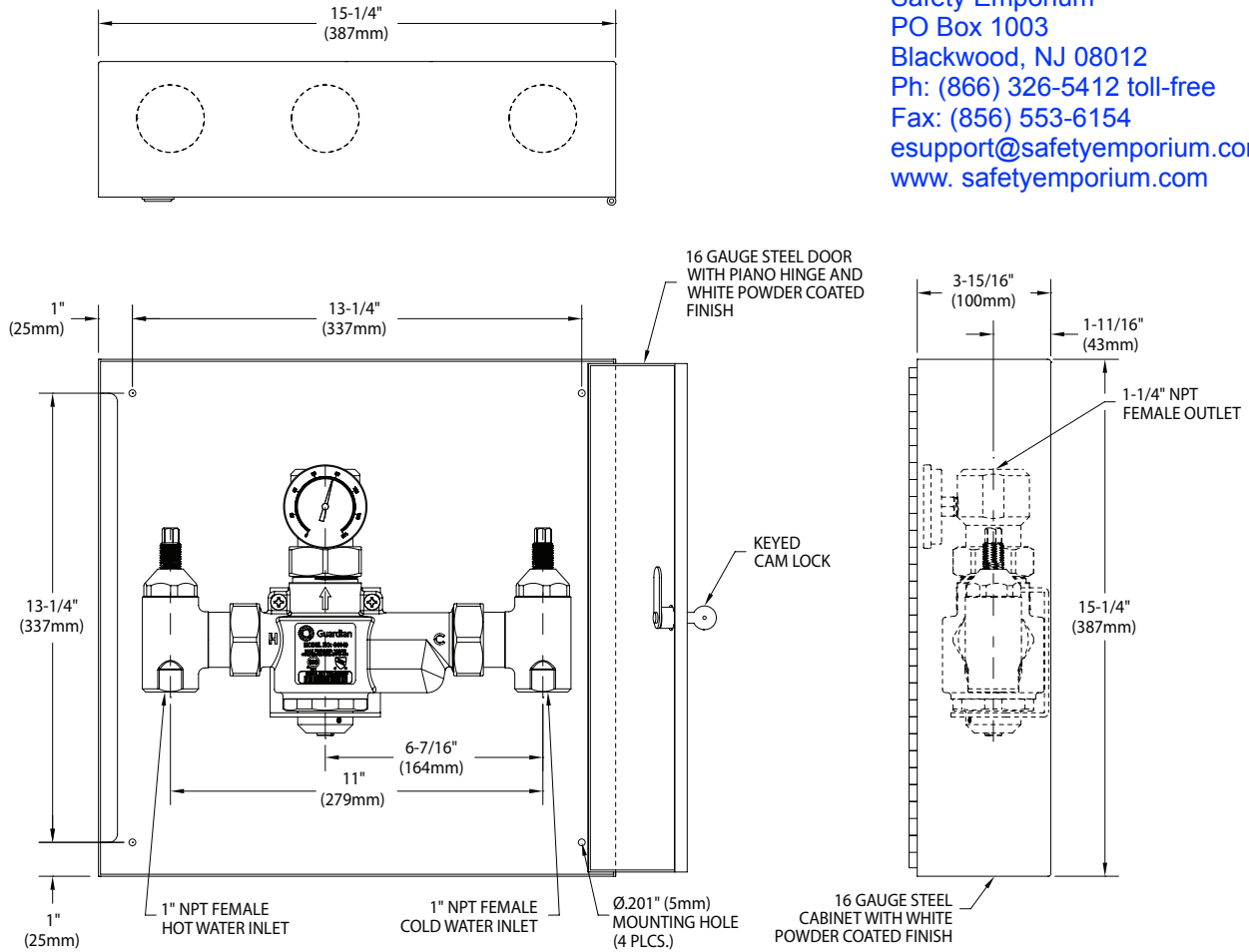


G6041-XXX G6040 Thermostatic Mixing Valve with Surface Mounted Powder Coated Steel Cabinet

Distributed by:
 Safety Emporium
 PO Box 1003
 Blackwood, NJ 08012
 Ph: (866) 326-5412 toll-free
 Fax: (856) 553-6154
 esupport@safetyemporium.com
 www.safetyemporium.com



Ordering Information

When ordering the G6041-XXX, the three digit code added to the model number specifies the following information. If no code is specified, the unit will be supplied with code 1R1 (solid door, right hinge and bottom inlets/top outlet).

