



### □ **GBF1724** Barrier-Free WideArea™ Eye/Face Wash, Wall Mounted



**Application:** Barrier-Free WideArea™ eye/face wash for wall mounting. Bowl is lowered and extended to permit access by wheelchair user. Profile of unit is “flattened” to comply with maximum height and knee clearance requirements.

**ADA Compliance:** When installed at recommended mounting height, unit complies with ADA requirements for accessibility by handicapped persons (maximum height and reach, minimum knee clearance and distance from obstructions).

**Spray Head Assembly:** Four GS-Plus spray heads. Each head has a “flip top” dust cover, internal flow control and filter to remove impurities from the water flow.

**Valve:** 1/2" IPS chrome plated brass stay-open ball valve with flag handle. Valve is US-made with chrome plated brass ball and Teflon® seals.

**Bowl:** 11-1/2" stainless steel.

**Mounting:** Welded stainless steel bracket for wall mounting.

**Supply:** 1/2" IPS female inlet.

**Waste:** 1-1/2" OD chrome plated brass tailpiece.

**Sign:** ANSI-compliant identification sign.

**Quality Assurance:** Unit is completely assembled and water tested prior to shipment.

### Available Options

- **BC** Stainless steel bowl cover.
- **DC** Stainless steel dust cover for each spray head.
- **HS** Auxiliary hand-held drench hose for rinsing eyes, face or body.
- **T** Chrome plated brass tailpiece and trap with 1-1/2" IPS waste connection.
- **TMV** G3600LF thermostatic mixing valve precisely blends hot and cold water to deliver warm (tepid) water as required by ANSI Z358.1-2014. Refer to “Tempering Units” section for complete technical and product selection information.

### Distributed by:

Safety Emporium

PO Box 1003

Blackwood, NJ 08012

Ph: (866) 326-5412 toll-free

Fax: (856) 553-6154

[esupport@safetyemporium.com](mailto:esupport@safetyemporium.com)

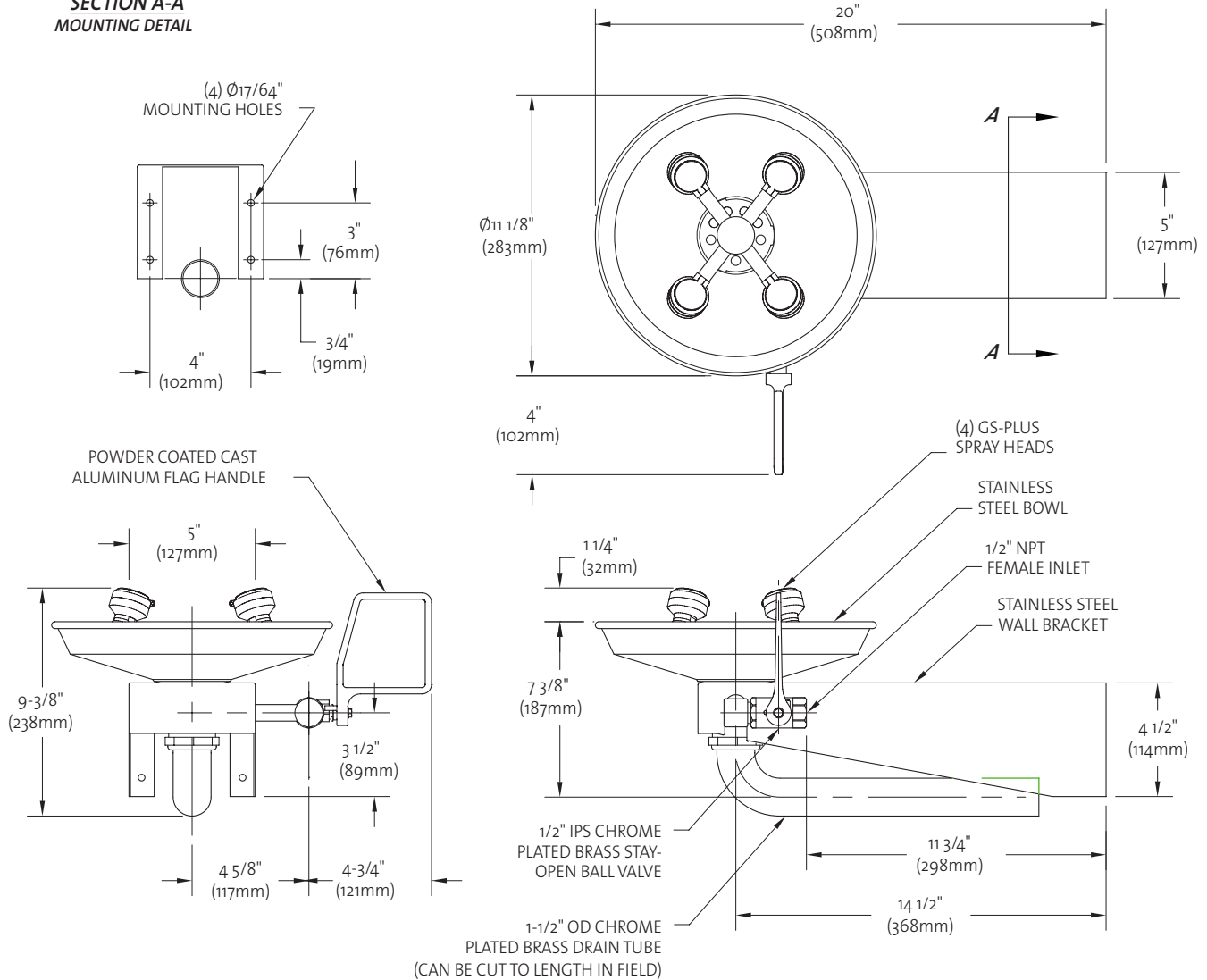
[www.safetyemporium.com](http://www.safetyemporium.com)





### GBF1724 Barrier-Free WideArea™ Eye/Face Wash, Wall Mounted

#### SECTION A-A MOUNTING DETAIL



#### NOTES:

1. EACH GS-PLUS SPRAY HEAD HAS A "FLIP-TOP" DUST COVER, INTERNAL FLOW CONTROL AND FILTER TO REMOVE IMPURITIES FROM THE WATER FLOW.
2. UNIT SHOULD BE INSTALLED SO THAT SPRAY HEADS ARE NO MORE THAN 36" ABOVE FINISHED FLOOR.

THIS SPACE FOR ARCHITECT/ENGINEER APPROVAL

Due to continuing product improvement, the information contained in this document is subject to change without notice. All dimensions are  $\pm 1/4"$  (6mm). rev. 0115

Sign Included



Guardian Equipment  
1140 N North Branch St  
Chicago, IL 60642

312 447 8100 TELEPHONE  
312 447 8101 FACSIMILE  
gesafety.com



Listed 8116. Units have been tested to and comply with ANSI Z358.1-2014 and the Uniform Plumbing Code.



ETL Listed 101496. Units have been tested to and comply with ANSI Z358.1-2014.

