



□ **GBF1735DP** Swing-Down Eye/Face Wash with Drain Pan, Recess Mounted

Application: Recessed barrier-free swing-down eye/face wash with drain pan. Stainless steel cover provides attractive appearance and protects unit when not in use. When activated, cover serves as pan to collect waste water and return it into unit for drainage.

ADA Compliance: When installed at recommended mounting height, unit complies with ADA requirements for accessibility by handicapped persons.

Spray Head Assembly: Two FS-Plus™ spray heads mounted on supply arms. Each spray head has individually adjustable flow control and filter to remove impurities from water flow.

Cover/Drain Pan: 16 gauge stainless steel combination cover and drain pan. Grasping “panic bar” handle and opening cover pulls spray head assembly down from vertical to horizontal position, activating water flow. While unit is in operation, waste water is collected in drain pan and returned into cabinet for drainage. Unit remains in operation until cover is returned to closed position.

Valve: 1/2" IPS brass plug-type valve with O-ring seals. Furnished with in-line strainer to protect valve and spray heads from debris and foreign matter.

Mounting: 16 gauge stainless steel cabinet with flange featuring 3/8" return for recessed mounting in wall. Unit fits in standard 3-5/8" deep wall.

Supply: 1/2" NPT female inlet.

Waste: 2" NPT female outlet.

Sign: ANSI-compliant identification sign.

Quality Assurance: Unit is completely assembled and water tested prior to shipment.

Available Options

- **AP285-235** Electric strobe light and alarm horn unit for recess mounting in finished wall. Light illuminates and horn sounds when eye/face wash is activated. Includes additional leads for remote monitoring.
- **AP280-237** Electric strobe light and alarm horn unit with silencing switch for recess mounting in finished wall. Light illuminates and horn sounds when shower is activated. Includes additional leads for remote monitoring.
- **G3600LF** Thermostatic mixing valve precisely blends hot and cold water to deliver tepid water as required by ANSI Z358.1-2014. Refer to “Tempering Valves” section for complete technical and product selection information.

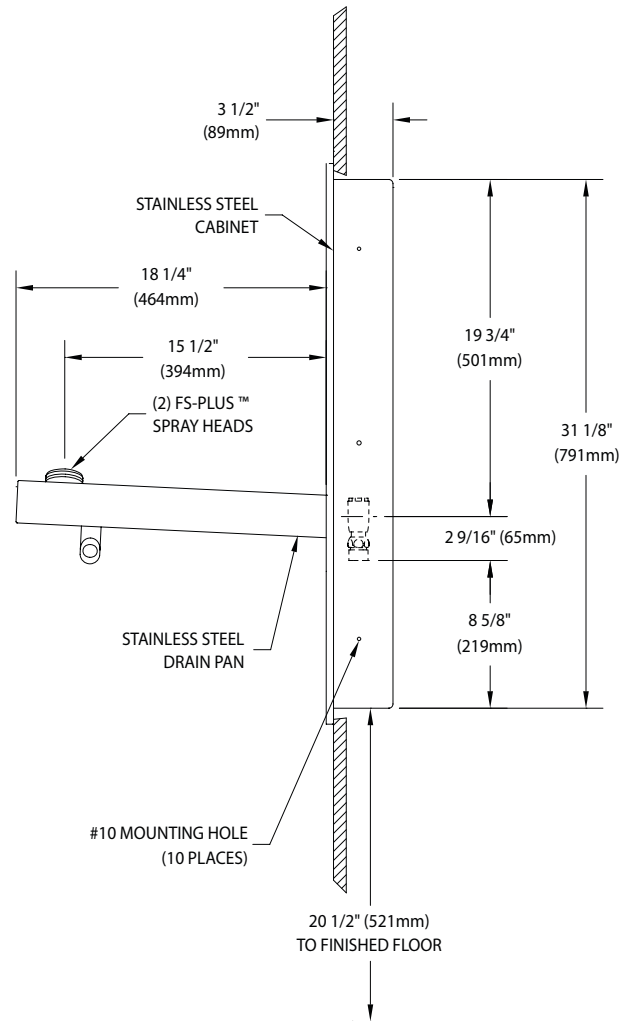
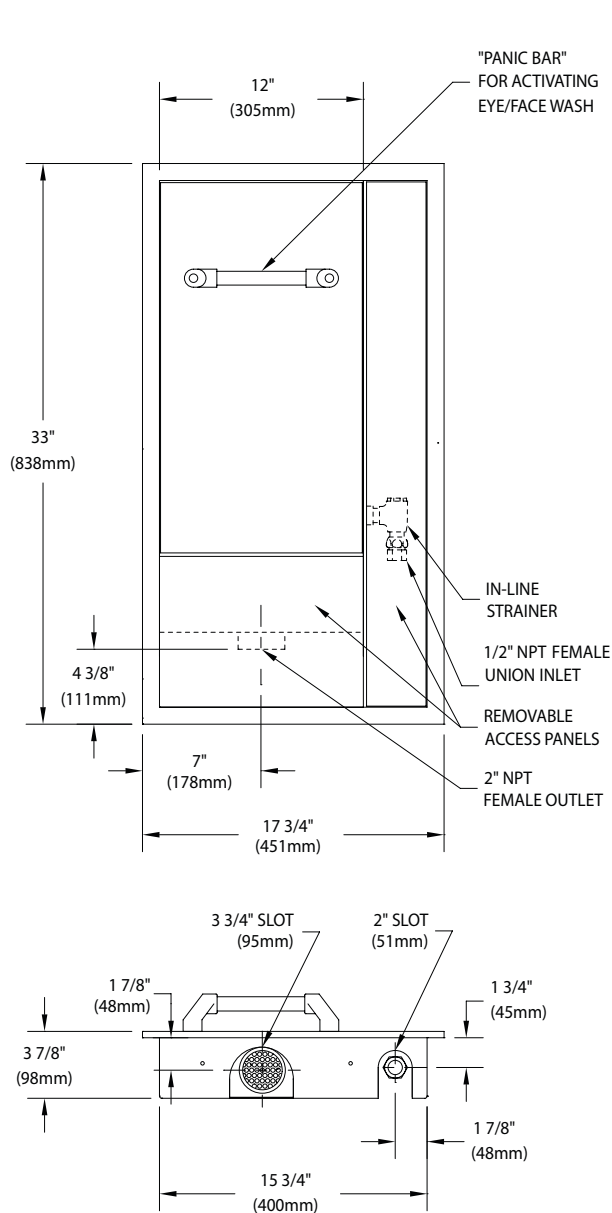


Note: Shown with optional AP285-235 electric light and alarm horn unit (sold separately).





GBF1735DP Swing-Down Eye/Face Wash with Drain Pan, Recess Mounted



NOTES:

1. EACH FS-PLUS™ SPRAY HEAD HAS AN ADJUSTABLE INTERNAL FLOW CONTROL AND FILTER TO REMOVE IMPURITIES FROM THE WATER FLOW.
2. UNIT IS FURNISHED WITH IN-LINE STRAINER TO PROTECT SPRAY HEADS AND VALVE COMPONENTS FROM DEBRIS IN WATER LINE.
3. CABINET IS 16 GAUGE TYPE 304 STAINLESS STEEL WITH #4 BRUSHED SATIN FINISH.
4. INLET CAN BE POSITIONED TO SUPPLY UNIT FROM TOP OR BOTTOM.

THIS SPACE FOR ARCHITECT/ENGINEER APPROVAL

Due to continuing product improvement, the information contained in this document is subject to change without notice. All dimensions are ± 1/4" (6mm). rev. 021920

Distributed by:
Safety Eporium
 PO Box 1003
 Blackwood, NJ 08012
 Ph: (866) 326-5412 toll-free
 Fax: (856) 553-6154
 esupport@safetyemporium.com
 www.safetyemporium.com

Sign Included

