



### **GFR3110** Heated Safety Station with Eyewash, Bottom Inlet, Rated for Class I, Division 2 Environment

**Application:** Electric heat-traced stations prevent freezing even in extreme conditions. Thermostat regulated units are heated by self-limiting heat-tracing cable wrapped around internal pipe. Units are intended for cold weather use down to -40°F. See 'Tempering Valves' section to ensure tepid water compliance with ANSI Z358.1-2014.

**Heating Cable:** Self-regulated with external termination guards. Thermostat activates when internal piping temperature falls below 75°F. FM, UL, and CSA approved for Class I, Division 2, Groups B, C, and D.

**Electrical System:** Unit is fully wired at factory. Junction box and components rated for Class I, Division 2, Groups B, C, and D. Requires 120 VAC single phase power supply.

**Jacket/Insulation:** UV-resistant orange ABS plastic with polyethylene foam insulation. Jacket sections secured with removable stainless steel screws for easy maintenance.

**Shower Head:** 10" diameter orange ABS plastic with 20 GPM flow control.

**Shower Valve:** 1" IPS brass stay-open ball valve. US-made with brass ball and Teflon® seals. Includes stainless steel actuating arm and 29" stainless steel pull rod.

**Spray Head Assembly:** Freeze-resistant with float-off dust covers and internal flow control.

**Eyewash Valve:** 1/2" IPS brass three-way self-draining stay-open ball valve. US-made with brass ball and Teflon® seals. Includes 1/2" NPT port to drain water from spray heads after use.

**Pipe and Fittings:** Schedule 40 galvanized steel.

**Supply:** 1-1/4" NPT female bottom inlet.

**Sign:** ANSI-compliant identification sign.

**Quality Assurance:** Factory tested prior to shipment. Ships fully assembled and crated.

#### Available Options

- SSH** Stainless steel shower head.
- HV** 240 volt heat tracing.
- TL** Heat trace indicator light.
- SP** Scald protection valve.
- FP** Freeze protection valve.
- ALG** Green area light.
- PS** Magnetically activated proximity (MAP) switch.

Distributed by: **Safety Emporium**  
 PO Box 1003  
 Blackwood, NJ 08012

Ph: (866) 326-5412 toll-free  
 Fax: (856) 553-6154  
 esupport@safetyemporium.com  
 www.safetyemporium.com



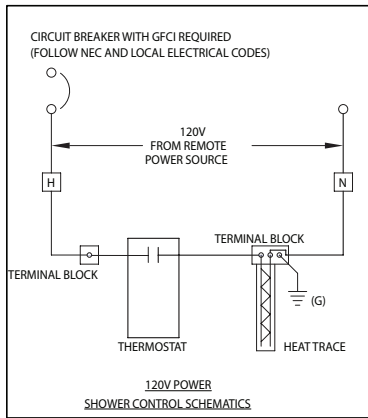
#### Alarm Options

Specify desired alarm using fourth digit of model number, as follows:

- 0** No alarm
- 1** Single pole, double throw flow switch for remote sensing capability
- 3** Alarm horn and remote sensing capability
- 5** Light and remote sensing capability
- 7** Alarm horn, light and remote sensing capability

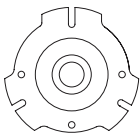


### □ GFR3110 Heated Safety Station with Eyewash, Bottom Inlet, Rated for Class I, Division 2 Environment

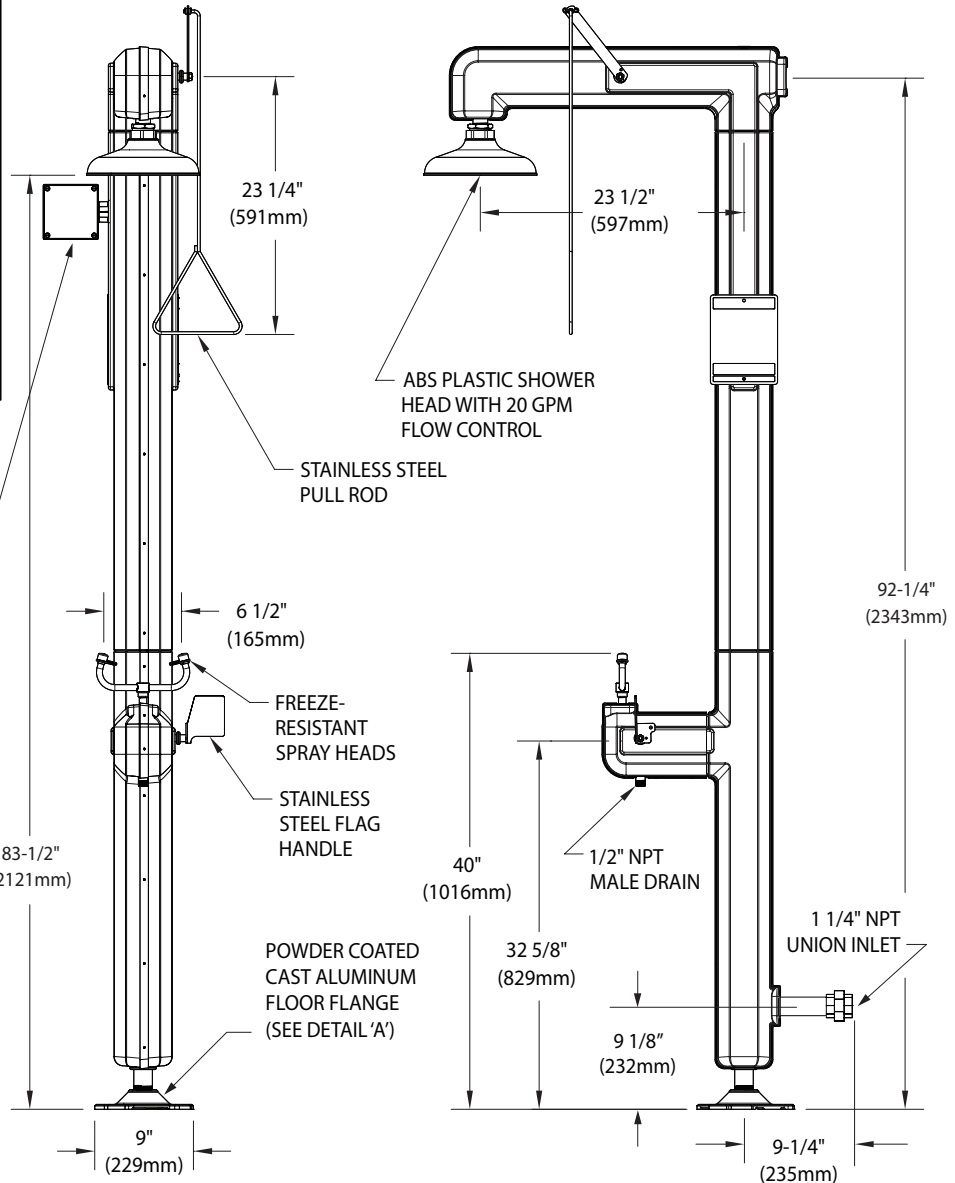


HEAT TRACED POWER CONNECTION BOX

DETAIL "A"  
UNIVERSAL FLOOR FLANGE



Ø7/16" MOUNTING SLOTS ON 7-5/8" BOLT CIRCLE



**NOTES:**

1. FREEZE RESISTANT SPRAY HEAD ASSEMBLY HAS AN INTERNAL FLOW CONTROL
2. DESIGNED FOR USE IN A CLASS I, DIVISION 2, GROUPS B, C & D ENVIRONMENT.
3. PEAK HEAT TRACE POWER CONSUMPTION IS 75 WATTS.
4. IN ORDER TO MEET CLASS I, DIVISION 2 REQUIREMENTS, APPROVED CONDUIT AND FITTINGS MUST BE USED.  
ALL THREADED ELECTRICAL CONNECTIONS MUST HAVE HAZARDOUS LOCATION RATED SEALANT APPLIED TO THREADS.

THIS SPACE FOR ARCHITECT/ENGINEER APPROVAL

Due to continuing product improvement, the information contained in this document is subject to change without notice. All dimensions are ± 1/4" (6mm). rev. 0116

Sign Included

