



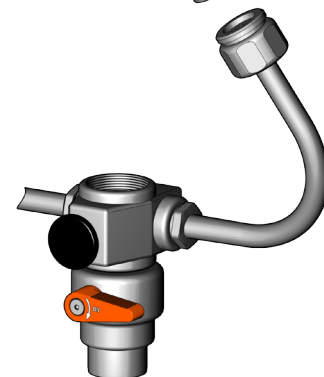
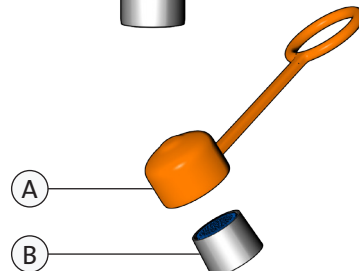
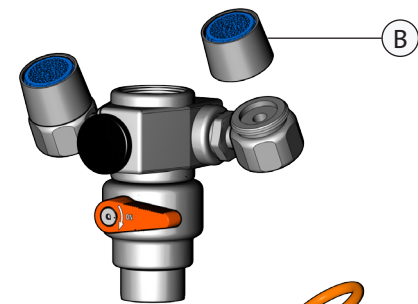
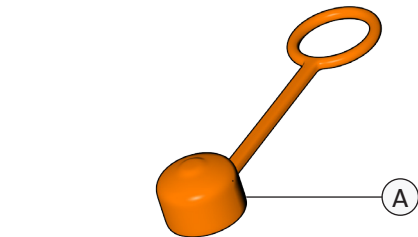
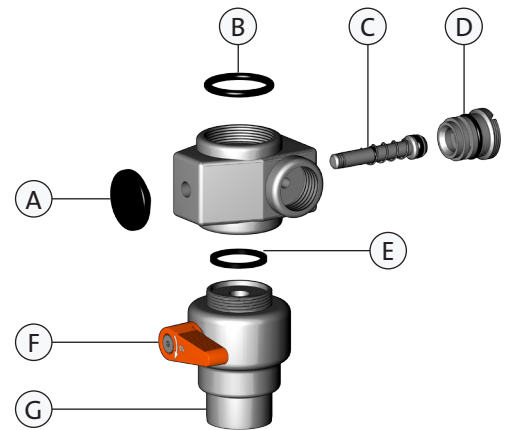
Valve Components		
A	600-664R	Actuating Knob (pkg of 2)
B	600-628R	Inlet O-Ring (pkg of 2)
C	AP600-666	Valve Stem with O-Rings and Spring
D	AP600-665	Diverter with O-Rings
E	600-629R	Neoprene Washer (pkg of 2)
F	AP600-640	Valve Assembly
G	450-005	Outlet Aerator Assembly

Inlet Adaptors (included with unit)	
AP400-009	(1) 15/16-27 Male Adapter with O-Ring, (1) 13/16-27 Male Adapter with O-Ring, (1) 3/8" IPS Male Adapter with O-Ring

Additional Adaptors (ordered separately)	
AP400-012	(1) 13/16-24 Female Adapter with O-Ring
AP400-015	(1) 3/4" Female Hose Adapter with O-Ring

G1200 Components		
A	250-046R	Dust Cover with Strap (pkg of 2)
B	AP450-110R	Aerator Assembly (pkg of 2)

G1201 Components		
A	250-046R	Dust Cover with Strap (pkg of 2)
B	AP450-110R	Aerator Assembly (pkg of 2)



Distributed by:
 Safety Emporium
 PO Box 1003
 Blackwood, NJ 08012



A. Installation

1. Remove present aerator or other fitting from faucet outlet.
2. Mount the Eye Safe unit to faucet spout. The Eye Safe inlet has a 55/64"-27 female thread.

*Note: Due to the variety of faucets, it may be necessary to use an adapter to mount the Eye Safe unit on the faucet spout. Three adapters are furnished with the unit; a larger adapter with 15/16"-27 thread size to fit Delta and American Standard faucets, a smaller adapter with 13/16"-27 thread size to fit Kohler and other faucets, and a 3/8" NPS adapter to fit Water Saver faucets. **Important: When mounting eye safe to faucet, be careful not to overtighten adapter.***

3. If necessary, use a 13/16" or adjustable wrench to adjust the angle of the outlet heads to obtain the desired angle for the eye wash water flow.
4. Attach the enclosed sign to wall or backsplash behind sink.

B. Use

1. Turn on cold water side of faucet. **Important: use only cold water when eye safe unit is in operation. Hot water may cause scalding or other injury.**
2. Pull knob on Eye Safe unit forward to activate the eye wash. Water pressure will hold the eye wash in operation, thus leaving the user's hands free.
3. To return to normal faucet operation, push knob back to original position. When the faucet is turned off, the knob will return to original position automatically.

C. Maintenance

1. Periodic cleaning of the eye wash aerators is advisable to assure proper water flow.
2. Keep plastic float-off covers on outlet heads when the unit is not in use.
3. The Eye Safe unit, like all emergency eye wash and shower equipment, should be tested weekly.