



Item	Part Number	Description
A	AP450-048	10" Dia. Stainless Steel Shower Head
B	320-08E	1" IPS Stainless Steel Elbow

Shower Valve Assembly		
C	AP620-335H	1" IPS Stainless Steel Stay-Open Ball Valve, Single Activation. Furnished with stainless steel actuating arm.

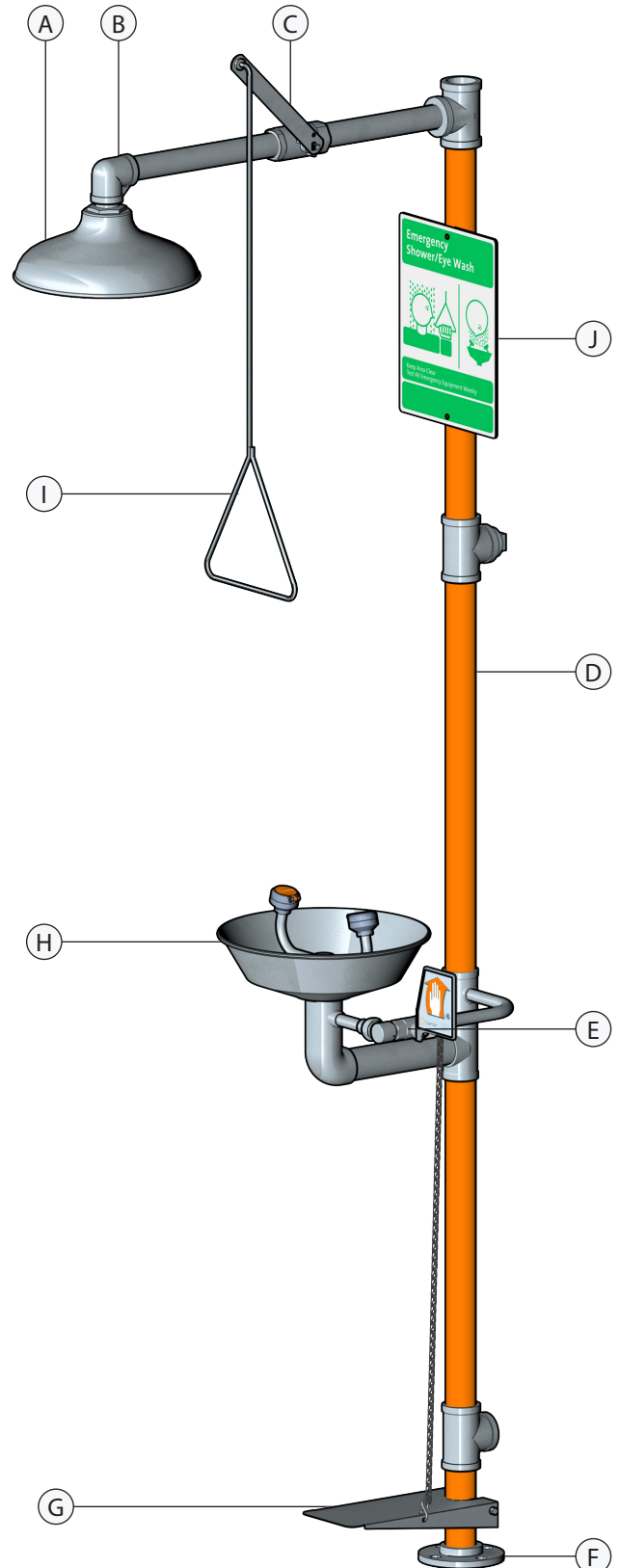
Pipe Packs		
D	AP520-100	Stainless Steel Pipe Pack for Units with Eyewash Bowl
	AP520-170	Stainless Steel Pipe Pack for Barrier-Free Units
	AP530-100	Orange Pipe Covers

Eyewash Valve Assemblies		
E	AP620-101H	1/2" IPS Stainless Steel Ball Valve with Stainless Steel Flag Handle
	AP620-101H-HFC	1/2" IPS Stainless Steel Ball Valve with Stainless Steel Flag Handle for Units with Hand/Foot Control

F	320-10F	Stainless Steel Floor Flange, 1 1/4" NPT Female Connection
G	AP050-010SS	Stainless Steel Foot Treadle and Return Spring with Aluminum Clevis Pin
H	See Page 2	Eyewash and Eye/Face Wash Assemblies

Shower Pull Rods		
I	AP050-079	29" Stainless Steel Pull Rod
	AP050-080	47 1/2" Stainless Steel Pull Rod

Sign		
J	AP250-008G	Emergency Safety Station Sign



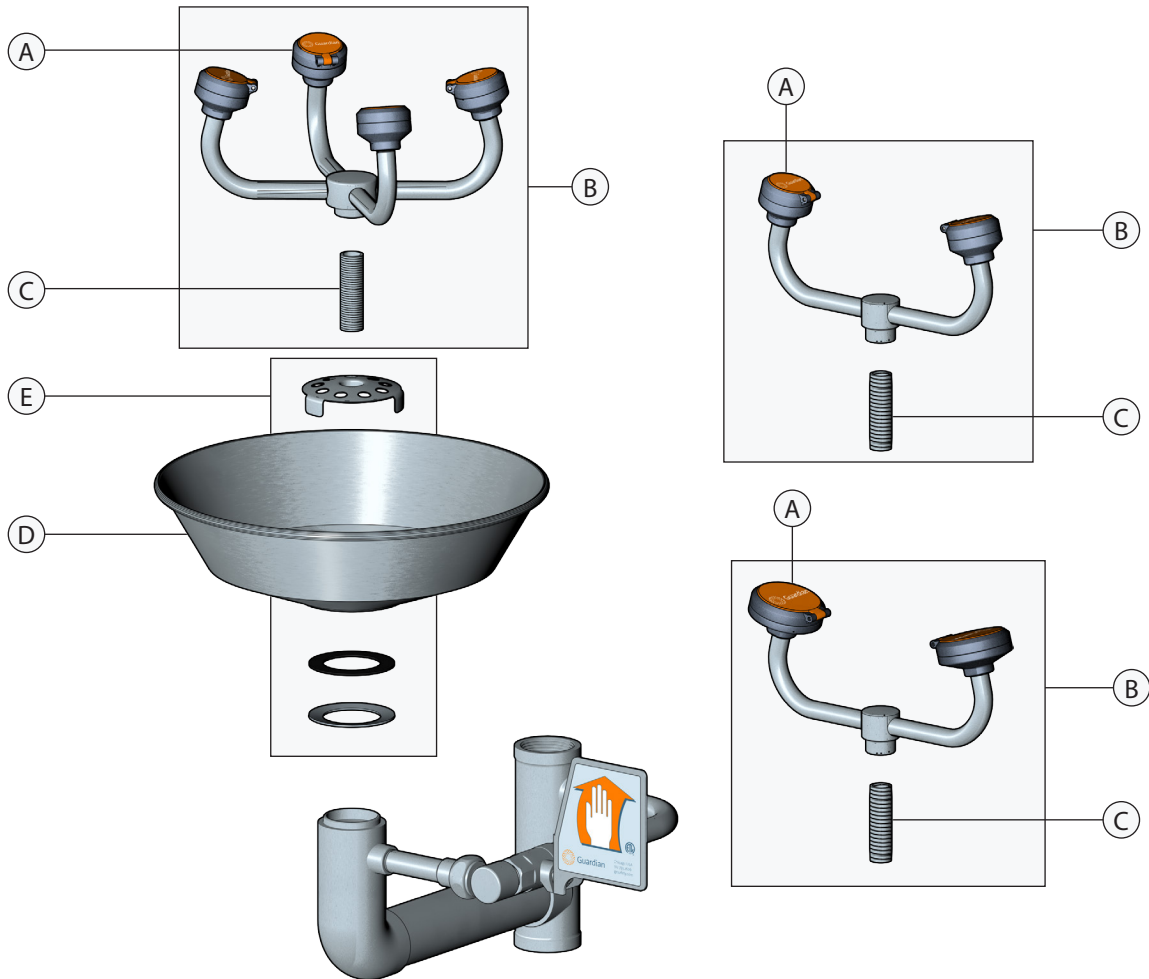
Distributed by:
Safety Emporium
PO Box 1003
Blackwood, NJ 08012

Ph: (866) 326-5412 toll-free
Fax: (856) 553-6154
esuport@safetyemporium.com
www.safetyemporium.com



Item	Part Number	Description
Spray Head Dust Covers		
A	470-001	GS-Plus™ Spray Head Assy.
	470-021	FS-Plus™ Spray Head Assy.
Outlet Assemblies		
B	AP470-100SS-R	(2) GS-Plus™ Spray Heads with Stainless Steel Fittings
	AP470-110SS-R	(2) FS-Plus™ Spray Heads with Stainless Steel Fittings
	AP470-120SS-R	(4) GS-Plus™ Spray Heads with Stainless Steel Fittings
	AP470-127SS-R	(4) GS-Plus™ Spray Heads with Stainless Steel Fittings for Barrier-Free Units
C	SI130-02-04	3/8" IPS X 2-1/4" Stainless Steel Shank

Item	Part Number	Description
Bowls		
D	100-008R	Stainless Steel Bowl
	100-014R	Stainless Steel Bowl for Barrier-Free Units
	100-008X	Stainless Steel Bowl with Neck
	100-014X	Stainless Steel Bowl with Neck for Barrier-Free Units
Drain Plate Assemblies		
E	AP150-012A	Drain Plate Assembly for Plastic Bowls
	AP150-012B	Drain Plate Assembly for Stainless Bowls
<i>Note: Includes Drain Plate, Cupped Washer, And Gasket</i>		



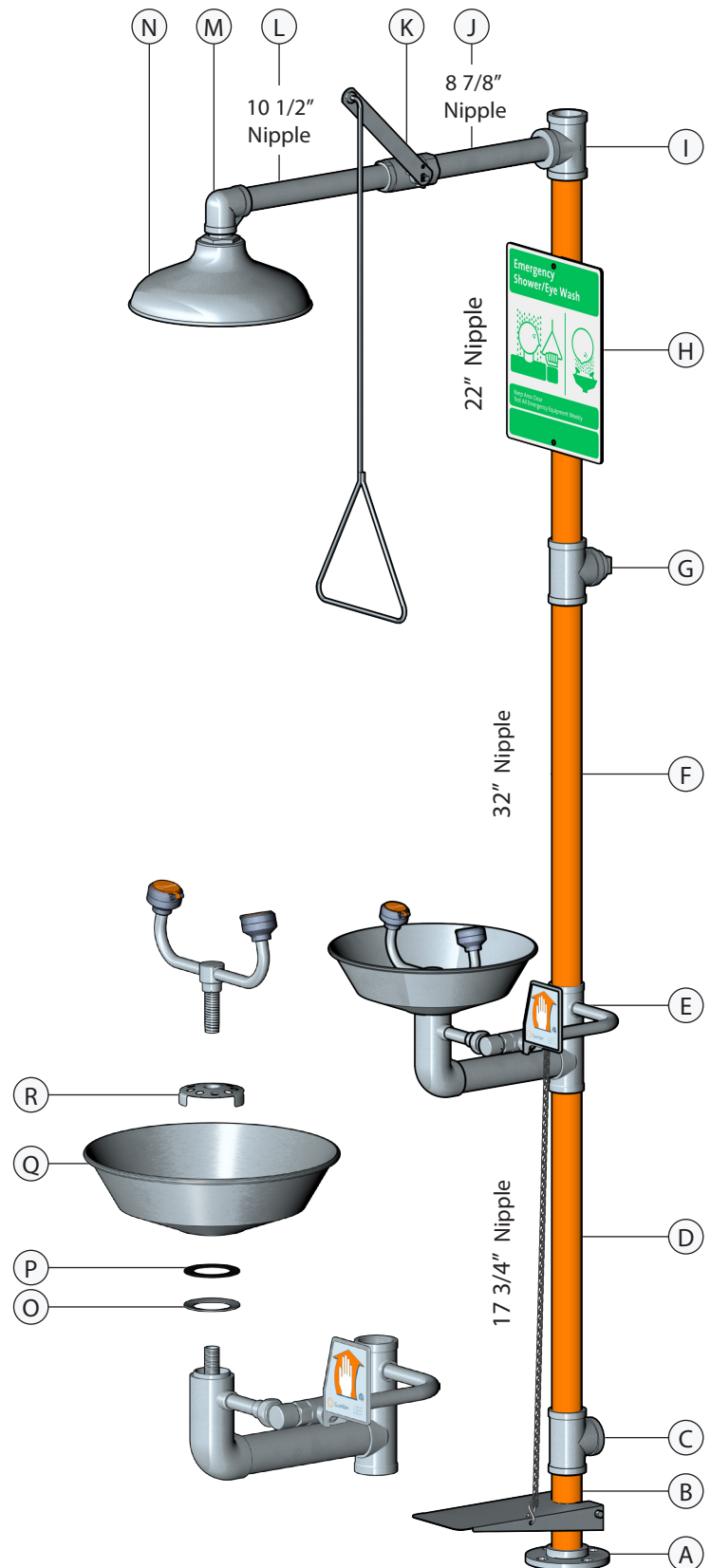


Safety stations are designed for easy assembly in the field. Essentially, these units are assembled from the "bottom up", as described below:

1. Assemble floor flange (A), 1 1/4" IPS x 6 5/8" plugged nipple (B), and outlet tee (C). If unit has a foot treadle, the floor flange and treadle are pre-assembled. Position foot treadle for proper access by users, and tee for connection to drain.
2. Assemble 1 1/4" IPS x 17 3/4" nipple (D) and frame assembly (E). Position frame assembly for proper access by users.
3. Assemble 1 1/4" IPS x 32" nipple (F) and inlet tee (G). Position tee for connection to supply. If the top vertical inlet will be employed, plug tee with supplied 1 1/4" IPS square head plug.
4. Assemble 1 1/4" IPS x 22" nipple (H) and 1 1/4" x 1" IPS reducing inlet tee (I). Position tee forward for proper location of shower. If the back horizontal inlet will be employed, plug tee with supplied 1 1/4" IPS square head plug.
5. Assemble 1" IPS x 8 7/8" nipple (J), emergency shower valve (K), 1" IPS x 10 1/2" nipple (L), elbow (M), and shower head (N).
6. Place cupped, stainless steel washer (O), rubber gasket (P), and bowl (Q) onto waste receptor. Center components to assure a watertight seal.
7. Thread drain plate (R) down onto mounting shank as far as possible. If necessary, rotate bowl clockwise to draw drain plate down onto mounting shank.
8. Thread eye or eye/face wash spray head assembly onto mounting shank. Position outlet heads for proper access by user.
9. Secure entire unit to floor and/or wall for stability.
10. If unit has foot treadle, connect foot treadle chain to valve/handle assembly.
11. Attach orange plastic pipe wrap and sign.

Notes:

1. All threads are tapered pipe and require pipe joint compound or Teflon tape to assure watertight connection.
2. If unit is furnished with corrosion-resistant powder coating, care must be taken to avoid damaging finish during assembly. For best results, a strap wrench should be used.
3. Test the entire unit for proper operation.
4. The use of dielectric unions is required when connecting to copper supply to avoid premature corrosion.





Each spray head features:

- Tough polypropylene plastic construction
- Highly visible integrated nylon dust cover
- Easily accessible 1.8 GPM (GS-Plus™) or 3.2 GPM (FS-Plus™) flow controls.
- Dense (60 pore per inch) polyurethane filter
- Unique design provides a consistently soft, full spray of water across a range of working pressures from 30 to 100 PSI

Item	Part Number	Description
A	AP470-001	GS-Plus™ Spray Head (assembled)
B	AP470-002R	Dust Cover and Cap Assembly
C	470-004R	60 PPI Polyurethane Filter
D	470-005R	1.8 GPM Flow Control
E	AP470-021	FS-Plus™ Spray Head (assembled)
F	AP470-022R	Dust Cover and Cap Assembly
G	470-024R	60 PPI Polyurethane Filter
H	470-025R	3.2 GPM Flow Control

