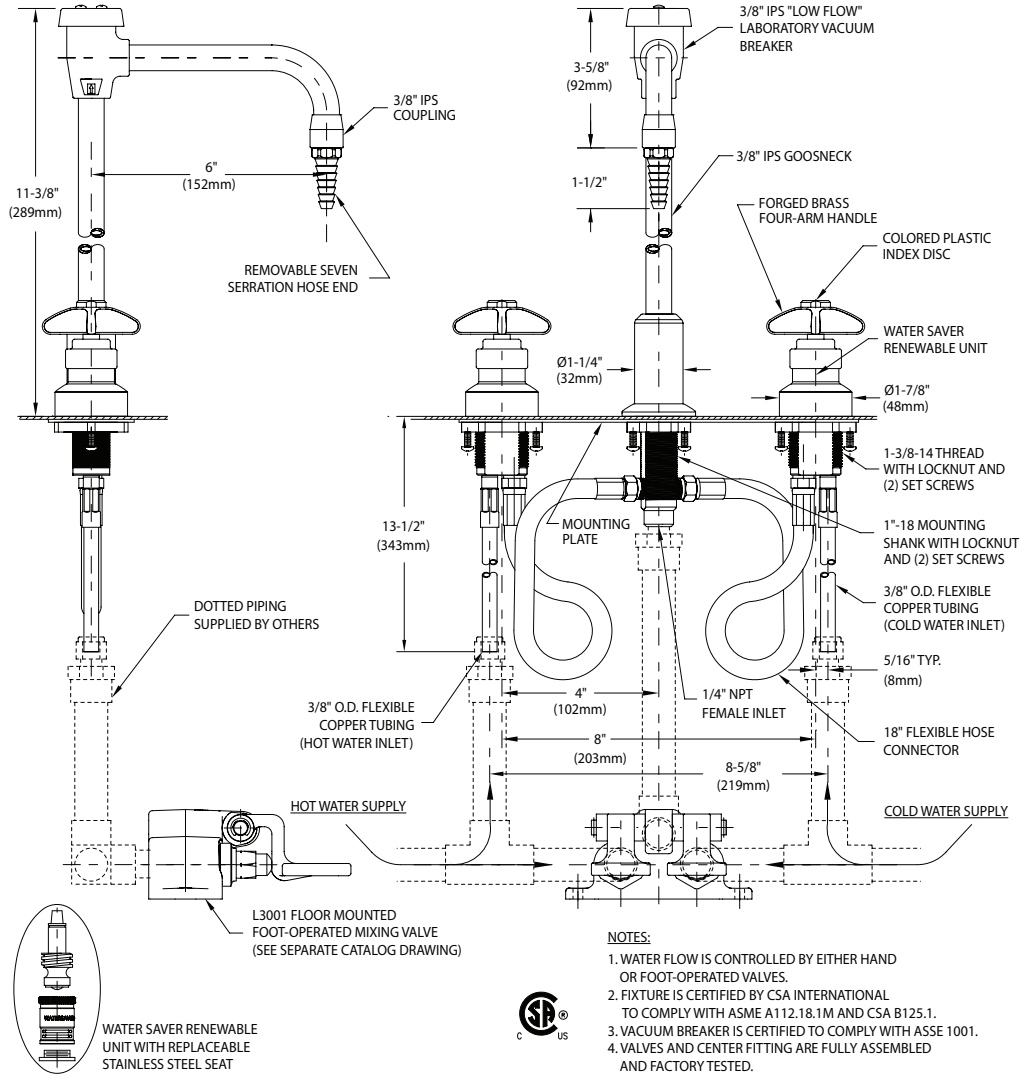




- L2211TWI-VB-3001** Laboratory Mixing Faucet, Deck Mounted, 6" Rigid Vacuum Breaker Gooseneck, Foot-Operated Mixing Valve
- L2212TWI-VB-3001** Same as above except with Swing Vacuum Breaker Gooseneck
- L2214TWI-VB-3001** Same as above except with Rigid/Swing Vacuum Breaker Gooseneck



THIS SPACE FOR ARCHITECT/ENGINEER APPROVAL

Due to continuing product improvement, the information contained in this document is subject to change without notice. All dimensions are ± 1/4" (6mm). Rev. 122619

Distributed by:
Safety Emporium
 PO Box 1003
 Blackwood, NJ 08012
 Ph: (866) 326-5412 toll-free
 Fax: (856) 553-6154
 esupport@safetyemporium.com
 www.safetyemporium.com

WaterSaver Faucet Co. 312 666 5500 TELEPHONE
 701 W Erie St 312 666 5501 FACSIMILE
 Chicago, IL 60654 wsflab.com