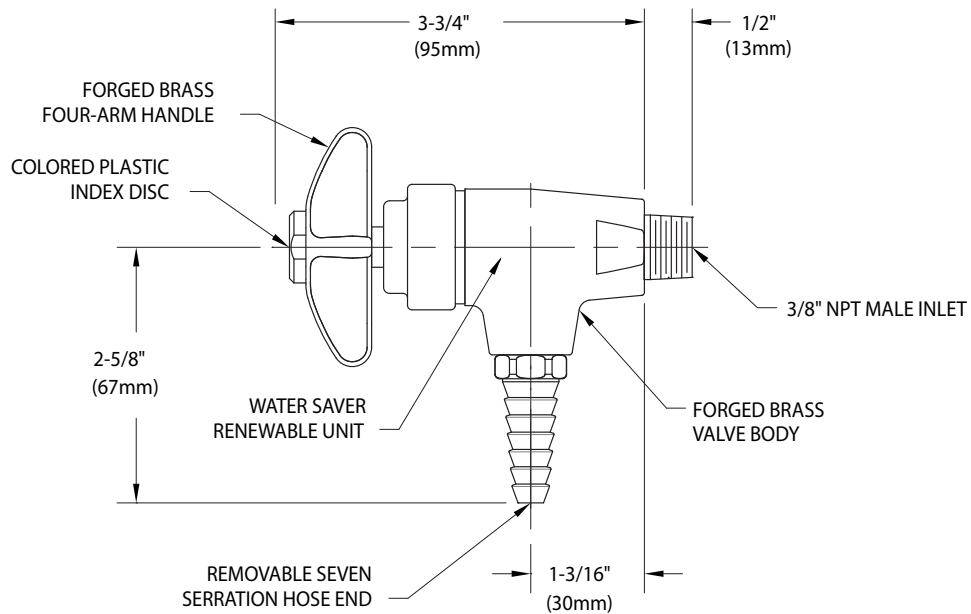
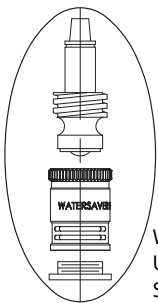


L3100 Laboratory Water Valve, Angle Pattern



Distributed by:
Safety Emporium
 PO Box 1003
 Blackwood, NJ 08012
 Ph: (866) 326-5412 toll-free
 Fax: (856) 553-6154
esupport@safetyemporium.com
www.safetyemporium.com



WATER SAVER RENEWABLE UNIT WITH REPLACEABLE STAINLESS STEEL SEAT

NOTES:



1. VALVE IS CERTIFIED BY CSA INTERNATIONAL TO COMPLY WITH ASME A112.18.1M AND CSA B125.1.
2. VALVE IS FULLY ASSEMBLED AND FACTORY TESTED PRIOR TO SHIPMENT.
3. VALVE HAS A POLISHED CHROME PLATED FINISH.

Measurements may vary $\pm 1/4$ ".