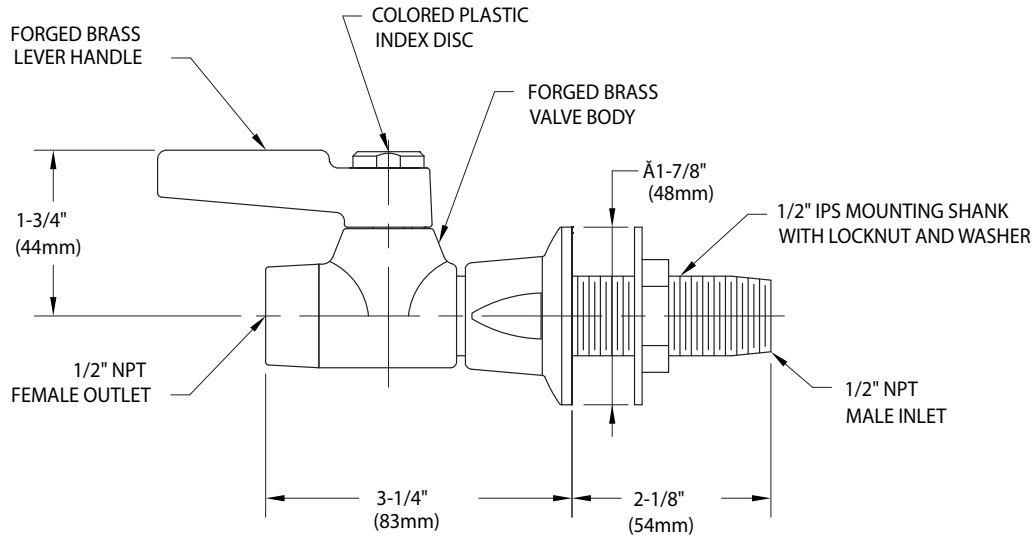


○ **L4301-159WSA** High Flow Laboratory Water Valve Assembly, Panel Mounted Single



**Distributed by:**  
**Safety Emporium**  
**PO Box 1003**  
**Blackwood, NJ 08012**  
**Ph: (866) 326-5412 toll-free**  
**Fax: (856) 553-6154**  
**esupport@safetyemporium.com**  
**www.safetyemporium.com**

**NOTES:**

1. VALVE IS FULL PORT BALL VALVE WITH CHROME PLATED BRASS BALL AND MOLDED PTFE SEALS.
2. FIXTURE IS FULLY ASSEMBLED AND FACTORY TESTED PRIOR TO SHIPMENT.
3. FIXTURE HAS A POLISHED CHROME PLATED FINISH.

Measurements may vary  $\pm 1/4$ ".