



AQUASEARCHER™

AB41PH Benchtop Meter

Distributed by:
Safety Emporium
PO Box 1003
Blackwood, NJ 08012
Ph: (866) 326-5412 toll-free
Fax: (856) 553-6154
esupport@safetyemporium.com
www.safetyemporium.com



An Advanced, Research-Grade Benchtop pH Meter Offering Accurate, Repeatable Results

The OHAUS AquaSearcher™ AB41PH benchtop meter is designed with reliable measurement and precise performance in mind. The i-Steward ensures repeatable and consistent measurement accuracy for optimal peace of mind. The large LCD display and touch keypad makes changing the parameters, executing setup, and performing calibration as simple as using a smartphone.

Unique Features:

- With selectable resolution from 0.1 to 0.001 and an intelligent i-Steward system, AB41PH is an excellent pH benchtop meter with high resolution and consistent accuracy.
- Equipped with a 6.5-inch large LCD display and a touch keypad, AB41PH offers a simple and precise control experience.
- The AB41PH features a 1000-item memory and password management for GLP documentation. Provides connectivity and data output capabilities with RS232 and USB interface.

AQUASEARCHER™ AB41PH Benchtop Meter

i-Steward Indicators include the pH electrode condition, "Electrode Dirty/Broken," and reminder when meter needs recalibration. Selectable resolution from 0.1 to 0.001. Perform up to a 5-point pH calibration using automatic buffer recognition of 5 predefined buffer groups. Calibration log stores ten most recent calibrations. Compact stirrer can be used to uniformly mix solutions to get fast and repeatable results at no additional cost.

With multi-function touch keypad, you can operate the meter as easy as using a smartphone. All of the important information that you may need is shown on a 6.5" large display in multiple languages. Capture your critical readings with measurement stability indicator and selectable end-points modes – Auto-Stop holds a stable reading, Continuous shows changing readings and Timed logs data at specific intervals.

A 1000-item memory for measurements and calibration trail makes for efficient data documentation. Password management is suitable for GLP documentation. Standard RS232 and USB interface allows for connection to external devices such as a printer or computer for transfer or storage of data.

Distributed by:
Safety Emporium
PO Box 1003
Blackwood, NJ 08012
Ph: (866) 326-5412 toll-free
Fax: (856) 553-6154
esupport@safetyemporium.com
www.safetyemporium.com



AQUASEARCHER™ AB41PH Benchtop Meter

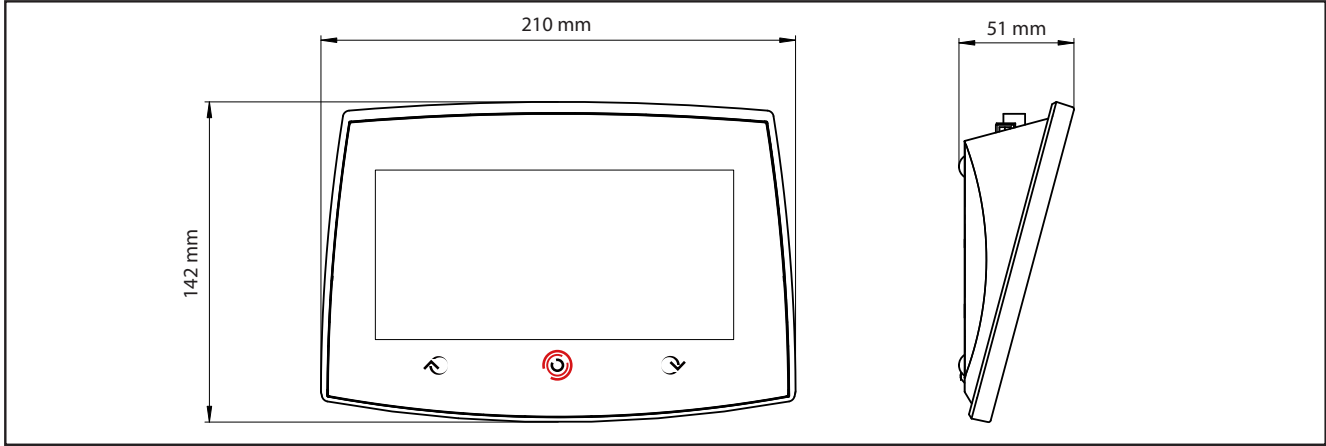
Specifications

Model	AB41PH	
pH	Measuring Range	-2.000 to 20.000 pH
	Resolution	0.1/0.01/0.001 pH
	Selectable Resolution	Yes
	Accuracy	± 0.002 pH
	Pre-Defined Buffer Groups	5
ORP, RmV	Measuring Range	± 2000.0mV
	Resolution	0.1 mV
	Accuracy	±0.3 mV
	Units	mV, RmV
Temperature	Measuring Range	-10.0 to 125.0 °C
		14°F to 257°F
	Resolution	0.1 °C, 0.1 °F
	Accuracy	± 0.3 °C, ±0.3 °F
Calibration	1 point cal offset	
Calibration	Calibration Points	Up to 5 points
	Calibration Sign	Slope/offset & Face
	Calibration Mode	Linear
Meter Specifications	Display Type	6.5" Segment & Dot matrix LCD with backlight
	Multilanguage User Interface	English, Spanish, French, Portuguese, Chinese, Russian and Turkish
	Measurement End-point Modes	Auto-stop, Timed, Continuous
	Datalog for measurement	1000 sets data points with time and date stamp
	Datalog for calibration	10 sets
	Keypad	Capacitive touch
	Output	Connect to PC via RS232 and USB, Connect to Printer via RS232
	Password management	10 User ID for password management
	pH electrode input	BNC
	Temperature input	Cinch, NTC 30 kΩ
	Installation Overvoltage	Category II
	Pollution	Degree 2
	Power Supply	Universal, 100-240 VAC, 50-60 Hz
	Ambient Operating	5 to 40 °C, 5 to 80 %, non-condensing

Distributed by:
 Safety Emporium
 PO Box 1003
 Blackwood, NJ 08012
 Ph: (866) 326-5412 toll-free
 Fax: (856) 553-6154
esupport@safetyemporium.com
www.safetyemporium.com

AQUASEARCHER™ AB41PH Benchtop Meter

Outline Dimensions



Other Features and Equipment

- **Application:** pH, oxidation-reduction potential (ORP) with Temperature Measurements
- **Display:** 6.5" Segment & Dot matrix LCD with backlight
- **Operation:** AC adapter (included)
- **Communication:** RS232 and USB (included). GLP/GMP data output with real-time clock
- **Construction:** Capacitive touch, Compact Stirrer, ABS housing, standalone electrode holder
- **Design Features:** i-Steward, 3 endpoint modes, Calibration due alarm, 1,000 measurement memory, Ten most recent calibrations, Password management

Compliance

- **Product Safety:** IEC/EN 61010-1
- **Electromagnetic Safety:** IEC/EN 61326-1 Class B, basic environments; FCC Part 15 Class A; Canada ICES-003 Class A
- **Compliance Marks:** CE, RCM
- **Others:** WEEE, RoHS

Accessories

Electrode holder AB33/AB41	30661423
Stirrer Compact AS20	30661425
SF40A Printer	30045641
Tester BNC AB33 AB41	30658042

Distributed by:
Safety Emporium
 PO Box 1003
 Blackwood, NJ 08012
 Ph: (866) 326-5412 toll-free
 Fax: (856) 553-6154
esupport@safetyemporium.com
www.safetyemporium.com

Packages Available in two configurations

a-AB41PH-B	a-AB41PH-F
- a-AB41PH Benchtop Meter - Stand-Alone Electrode Holder	- a-AB41PH-B - ST410 pH Electrode - STTEMP Probe - pH Buffer Mini Kits (4 x 50mL) - Stirrer Compact AS20

Item #	Solutions
30100424	Buffer pH 1.68 250 mL
30100425	Buffer pH 4.01 250 mL
30100426	Buffer pH 6.86 250 mL
30100427	Buffer pH 7.00 250 mL
30100428	Buffer pH 9.18 250 mL
30100429	Buffer pH 10.01 250 mL
30100440	Buffer pH 12.45 250 mL
30059255	Reference Electrolyte (3M KCl Solution Saturated AgCl, 30 mL)
30059256	pH Electrode Protection Solution (3M KCl, 125 mL)

Item #	Electrodes
30656037	pH electrode ST410
30129354	pH electrode ST350
83033967	pH electrode ST320
83033965	pH electrode ST310
30393265	pH electrode ST272
30240974	pH electrode ST270
30129357	pH electrode ST260
83033968	pH electrode ST230
83033966	pH electrode ST210
30087566	pH electrode STMICRO5
30087569	pH electrode STMICRO8
30129470	pH electrode STSURF
83033969	pH electrode STPURE
30038555	ORP electrode STORP1
30038553	ORP electrode STORP2
30059253	Reference Electrode STREF1
83033970	Temperature probe STTEMP30

OHAUS Europe GmbH

Heuwinkelstrasse 3,
 8606 Nänikon,
 Switzerland

e-mail: ssc@ohaus.com
 Tel: 0041 22 567 53 19
 e-mail: tsc@ohaus.com
 Tel: 0041 22 567 53 20

www.ohaus.com

The management system governing the manufacture of this product is ISO 9001:2015 certified.



80776665_A 20210420 © Copyright OHAUS Corporation