



# FRONTIER™ 5706

Multi Centrifuge

Distributed by:  
Safety Emporium  
PO Box 1003  
Blackwood, NJ 08012  
Ph: (866) 326-5412 toll-free  
Fax: (856) 553-6154  
esupport@safetyemporium.com  
www.safetyemporium.com



## **Reliable and Compact Multi-Function Centrifuge For Standard Life Science Separation Applications**

Frontier™ 5706 is a small benchtop multi-function centrifuge ideal for a multitude of spin-down applications. Characterized by reliability, various safety features, the ability to accommodate test tubes of various sizes and intuitive operation, Frontier 5706 was built to meet the basic need for liquid separation in the life sciences.

### **Unique Features Include:**

- **Extremely Simple and Intuitive Operation**—With an easy-to-turn control knob, a large LCD display and the capabilities to set and view both speed in rpm and g-force, enjoy precise results and enhanced functionality with extremely simple operation.
- **Compatibility with Test Tubes of Various Sizes**—Frontier 5706 can accommodate all standard tube sizes from 1.5 mL to 50 mL, providing centrifugation for a wide variety of applications. It also has a large capacity, and can hold six 50 mL tubes or twelve 15 mL tubes during one process.
- **Several Safety Features that Protect Against Injury**—Among Frontier 5706's safety attributes are sturdy mechanical lid with locking system and a rotor imbalance sensor that stops the centrifuge if the rotors become imbalanced or sudden shock occurs, protecting the operator from being injured by the high-speed spinning rotors.

# FRONTIER™ 5706 Multi Centrifuge

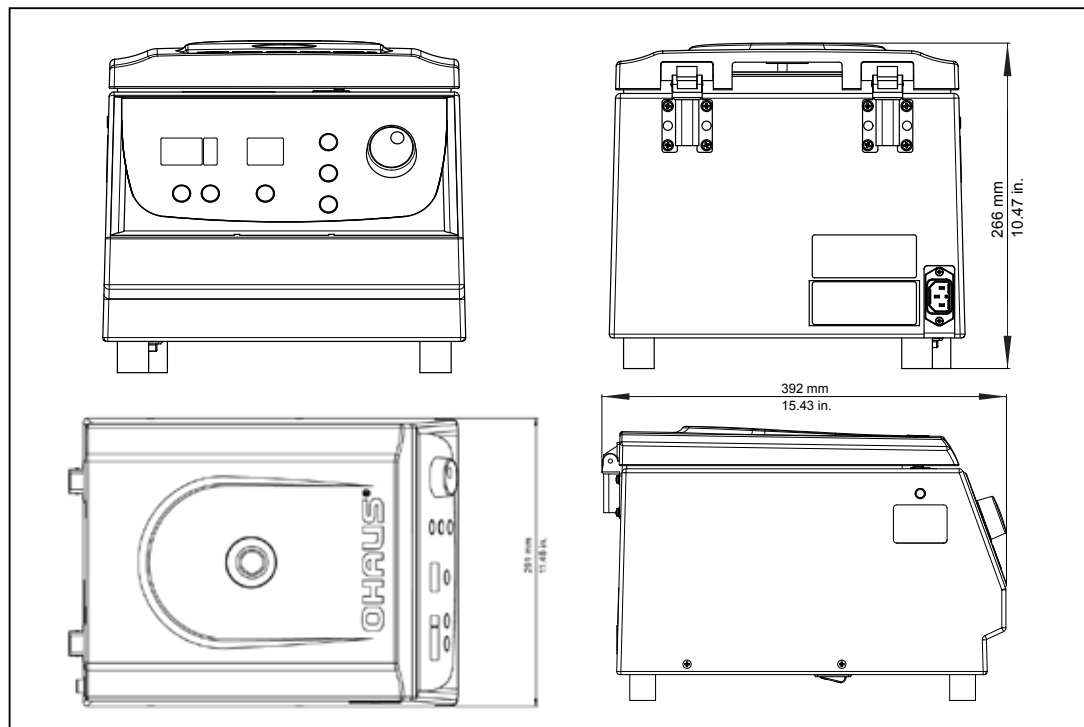
| Model                                | FC5706                                      |                  |
|--------------------------------------|---|------------------|
| Speed Range                          | 200 rpm – 6000 rpm; 50 rpm/increments       |                  |
| Maximum RCF                          | 4427 x g; 10 x g/set                        |                  |
| Maximum Capacity (Rotor)             | 6 x 50 mL                                   |                  |
| Cooling                              | Air Cooled                                  |                  |
| Running Time                         | 10 sec to 99 hr 99 min 99 sec or Continuous |                  |
| Noise Level (Depending on the Rotor) | ≤ 60 +2 dB(A)                               |                  |
| AC Power                             | 230 V/50 – 60 Hz                            | 120 V/50 – 60 Hz |
| Voltage Fluctuation                  | ± 10%                                       | ± 10%            |
| Current Consumption                  | 0.55 A                                      | 1.1 A            |
| Power Consumption                    | 100 W                                       | 100 W            |
| Dimensions (W × D × H)               | 11.5 × 15.4 × 10.5 in/291 × 392 × 266 mm    |                  |
| Net Weight (Without Rotor)           | 23 lb/10.5 kg                               |                  |
| Shipping Dimensions (W × D × H)      | 15.7 × 21.5 × 16.1 in/400 × 545 × 410 mm    |                  |
| Shipping Weight (Without Rotor)      | 33 lb/15 kg                                 |                  |

## Approvals

- **Product Safety:** EN 61010-1:2010, EN 61010-2-020:2006
- **Electromagnetic Compatibility:** EN 61326-1:2006, FCC Part 15 Class B

Distributed by:  
**Safety Emporium**  
 PO Box 1003  
 Blackwood, NJ 08012  
 Ph: (866) 326-5412 toll-free  
 Fax: (856) 553-6154  
[esupport@safetyemporium.com](mailto:esupport@safetyemporium.com)  
[www.safetyemporium.com](http://www.safetyemporium.com)

## Dimensions



**OHAUS CORPORATION**  
 \* 7 Campus Drive  
 Suite 310  
 Parsippany, NJ 07054 USA  
 Tel: 800.672.7722  
 973.377.9000  
 Fax: 973.944.7177

**www.ohaus.com**

*With offices throughout  
 Europe, Asia, and  
 Latin America*

**\*ISO 9001:2008**  
 Registered Quality  
 Management System



# FRONTIER™ 5706 Rotors and Accessories






Distributed by:  
 Safety Emporium  
 PO Box 1003  
 Blackwood, NJ 08012  
 Ph: (866) 326-5412 toll-free  
 Fax: (856) 553-6154  
[esupport@safetyemporium.com](mailto:esupport@safetyemporium.com)  
[www.safetyemporium.com](http://www.safetyemporium.com)



## ***Rotors and Adapters that Expand the Versatility of Frontier FC5706***

Various rotors and tube adapters provide FC5706 with the ability to hold tubes of different sizes and capacities.

|                         |  |  |  |  |
|-------------------------|--|--|--|--|
|                         |  |  |  |  |
| Item                    | Angle Rotor, 12 × 15 mL  | 7mL Tube Adapter   | 5mL Tube Adapter   | 1.5 mL/2.0 mL Tube Adapter   |
| Item Number             | 30130877   | 30130889   | 30130890   | 30130886   |
| Compatible Tubes        | 15 mL  | 7 mL   | 5 mL   | 1.5mL / 2.0mL  |
| Maximum Number of Tubes | 12   | 12   | 12   | 12   |
| Max. RPM                | 6000 rpm   | 6000 rpm   | 6000 rpm   | 6000 rpm   |
| Max. RCF                | 4427 × g   | 4265 × g   | 3621 × g   | 3058 × g   |
| Radius                  | 4.3 in/110 mm  | 4.17 in/106 mm   | 3.54 in/90 mm  | 2.99 in/76 mm  |
| Type                    | Angle Rotor ∠32°   | —  | —  | —  |
| Rotor Material          | Polypropylene  | —  | —  | —  |

|                         |   |   |  |   |   |
|-------------------------|---|---|--|---|---|
|                         |  |  |  |  |  |
| Item                    | Angle Rotor, 6x50 mL  | 30 mL Tube Adapter  | 16 mL Tube Adapter   | 15 mL Tube Adapter  | 15 mL RB/<br>Falcon Tube Adapter  |
| Item Number             | 30130878  | 30130891  | 30130892   | 30130893  | 30130894  |
| Compatible Tubes        | 50 mL   | 30 mL   | 16 mL  | 15 mL   | 15 mL RB/Falcon   |
| Maximum Number of Tubes | 6   | 6   | 6  | 6   | 6   |
| Max. RPM                | 6000 rpm  | 6000 rpm  | 6000 rpm   | 6000 rpm  | 6000 rpm  |
| Max. RCF                | 4427 × g  | 4306 × g  | 4145 × g   | 4225 × g  | 4185 × g  |
| Radius                  | 4.33 in/110 mm  | 4.21 in/107 mm  | 4.06 in/103 mm   | 4.13 in/105 mm  | 4.09 in/104 mm  |
| Type                    | Angle Rotor ∠40°  | —   | —  | —   | —   |
| Rotor Material          | Polypropylene   | —   | —  | —   | —   |

# FRONTIER™ 5706 Rotors and Accessories



|                         |                           |
|-------------------------|---------------------------|
| Item                    | Swing Out Rotor, 6 × 5 mL |
| Item Number             | 30130880                  |
| Compatible Tubes        | 5 mL                      |
| Maximum Number of Tubes | 6                         |
| Max. RPM                | 4000 rpm                  |
| Max. RCF                | 1878 x g                  |
| Radius                  | 4.13 in/105 mm            |
| Type                    | Swing Out Rotor           |
| Rotor Material          | Aluminium                 |



|             |  |
|-------------|--|
| Item        | Replaceable Buckets, For Swing Out Rotor (2 PCS/Package) |
| Item Number | 30130895   |

Distributed by:  
Safety Emporium  
PO Box 1003  
Blackwood, NJ 08012  
Ph: (866) 326-5412 toll-free  
Fax: (856) 553-6154  
[esupport@safetyemporium.com](mailto:esupport@safetyemporium.com)  
[www.safetyemporium.com](http://www.safetyemporium.com)