



Light Duty Orbital Shakers



Distributed by:
Safety Emporium
PO Box 1003
Blackwood, NJ 08012
Ph: (866) 326-5412 toll-free
Fax: (856) 553-6154
esupport@safetyemporium.com
www.safetyemporium.com

Choose from Four Models for Light Duty Shaking

Light Duty Shakers are designed for applications with loads under 3.6 kg. Choose from two orbit and speed ranges to optimize your sample mix. Microprocessor-controlled and available as an analog model with basic speed control, two digital models which include a non-slip mat that can be removed to mount flask clamps and tube racks directly onto the tray, and a digital Microplate Shaker model which can hold up to four microplates or two microtube racks.

Standard Features:

- **Microprocessor—Controlled for Consistent Shaking Action**
The variable speed, microprocessor control provides consistent, uniform shaking action. The microprocessor displays the last set-point and will restart if power is interrupted (on digital models).
- **Triple Eccentric Drive Provides Reliable Service and Continuous Duty Operation**
Triple eccentric drive with permanently lubricated ball bearings and maintenance-free, brushless DC motor provide reliable service and continuous-duty operation.
- **Safety Features Include Speed Ramping and Overload Protection**
Units slowly increase speed to desired set-point to avoid splashing. Digital models feature overload protection—audible and visual signals activate when system detects an obstruction or tray overload.

Light Duty Orbital Shakers

| Model | SHLD0415AL | SHLD0403DG | SHLD0415DG | SHLDMP03DG |
|------------------------|--|--|--------------------------|------------------------------------|
| Control | Analog | Digital | | |
| Motion | Orbital, 0.6 in. / 15 mm | Orbital, 0.1 in. / 3 mm | Orbital, 0.6 in. / 15 mm | Orbital, 0.1 in. / 3 mm |
| Speed Range | 40 to 300 rpm | 100 to 1200 rpm | 40 to 300 rpm | 100 to 1200 rpm |
| Timer | N/A | 1 second to 160 hours | | |
| Capacity | 8 lb / 3.6 kg | | | 4 Microplates or 2 Microtube Racks |
| Working Environment | 32 °F – 104 °F / 0 °C to 40 °C, 80% RH, non-condensing | 14 °F – 140 °F / -10 °C to 60 °C, 80% RH, non-condensing | | |
| Drive System | Brushless DC Motor; Triple Eccentric | | | |
| Tray Size (L × W) | 11.75 × 8.75 in. / 299 × 222 mm | | | 11 × 7.75 in. / 279 × 197 mm |
| Tray Construction | Aluminum | | | |
| Dimensions (H × L × W) | 4.3 × 16.3 × 10.3 in. / 108 × 413 × 260 mm | | | |
| Net Weight | 24 lb / 10.9 kg | | | |
| Power | 120V, 5A, 50/60Hz | | | |
| Power Consumption | 25 W | | | |

Other Standard Features and Equipment

Non-slip mat (11.75 × 8.75 in.) included with all models except SHLDMP03DG

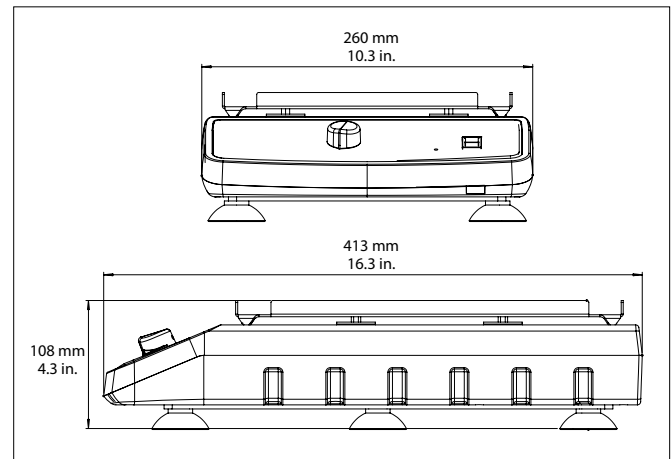
Compliance

- **Product Safety:** CAN/CSA C22.2 61010-1, CAN/CSA C22.2 61010-2-051, UL 61010-1
- **Electromagnetic Compatibility:** ICES-003 Class A, FCC Part 15 Class A
- **Compliance Marks:** TÜV SÜD

Accessories

| Accessories for SHLD0403DG and SHLD0415DG | | |
|---|--|-----------------|
| Item No. | Description | Max. per Shaker |
| 30400084 | Flask Clamp, 10 mL | 35 |
| 30400085 | Flask Clamp, 25 mL | 20 |
| 30400086 | Flask Clamp, 50 mL | 15 |
| 30400087 | Flask Clamp, 125 mL | 12 |
| 30400088 | Flask Clamp, 250 mL | 6 |
| 30400089 | Flask Clamp, 500 mL | 4 |
| 30400097 | Flask Media Bottle Clamp, 500 mL | 3 |
| 30400099 | Flask Clamp PVC 125 mL | 12 |
| 30400100 | Flask Clamp PVC 250 mL | 6 |
| 30400101 | Flask Clamp PVC 500 mL | 4 |
| 30400114 | Microtube Rack (70 tubes per rack) | 2 |
| 30400115 | Tube Rack Ø 10–13 mm (63 tubes per rack) | 2 |
| 30400116 | Tube Rack Ø 14–16 mm (48 tubes per rack) | 2 |
| 30400117 | Tube Rack Ø 18–20 mm (35 tubes per rack) | 2 |
| 30400118 | Tube Rack Ø 22–25 mm (24 tubes per rack) | 2 |
| 30400119 | Tube Rack 15 mL (35 tubes per rack) | 2 |
| 30400120 | Tube Rack 50 mL (12 tubes per rack) | 2 |
| 30400121 | Adjustable Platform, 8.6 × 11.7 in. / 22 × 30 cm, 2 bars | 1 |
| 30400122 | Roller Bar, 8.6 in. / 22 cm (for Adjustable Platform only) | Variable |
| 30400123 | Universal Harness | 1 |
| 30400124 | Dimpled Mat, 8.75 × 11.75 in. / 22 × 30 cm | 1 |
| 30400125 | Dilution Cup Tray | 1 |
| Accessories for SHLD0415AL | | |
| 30400124 | Dimpled Mat, 8.75 × 11.75 in. / 22 × 30 cm | 1 |
| Accessories for SHLDMP03DG | | |
| 30400114 | Microtube Rack (70 tubes per rack) | 2 |

Dimensions



Distributed by:
Safety Emporium
 PO Box 1003
 Blackwood, NJ 08012
 Ph: (866) 326-5412 toll-free
 Fax: (856) 553-6154
esupport@safetyemporium.com
www.safetyemporium.com

OHAUS CORPORATION
 7 Campus Drive
 Suite 310
 Parsippany, NJ 07054 USA

Tel: 800.672.7722
 973.377.9000
 Fax: 973.944.7177

www.ohaus.com

The management system governing the manufacture of this product is ISO 9001:2015 certified.

