



Pipette Adjustment Kit

Accessory



Distributed by:
Safety Emporium
PO Box 1003
Blackwood, NJ 08012
Ph: (866) 326-5412 toll-free
Fax: (856) 553-6154
esupport@safetyemporium.com
www.safetyemporium.com

Perform Routine Pipette Tests and Adjustments in the Lab Efficiently

When carrying out routine performance tests and adjustments on pipettes in the lab, it's essential to maintain the integrity of the test while being cost and time-efficient. Get reliable results with the use of the OHAUS Pipette Adjustment Kit which significantly reduces the rate of evaporation in comparison to using an open beaker. The kit can easily be installed onto the Explorer® Semi-Micro balance to check the accuracy of your pipettes.

Standard Features Include:

- **Perform Adjustments In-House and Reduce the Need for Costly Third-Party Service**
To perform routine tests and adjustments, simply install the kit onto an Explorer Semi-Micro balance—no tools needed. In-house adjustment reduces downtime and the need for costly outsourced maintenance.
- **Allows for Testing of Large and Small Volume Pipettes**
A large capacity reservoir (120ml) allows high volume pipettes to be measured, reducing the frequency at which it needs to be emptied. Pipettes as low as 100 µl volume can be checked precisely.
- **Store Safely When Not in Use in the Dedicated Carrying Case**
The components of the Pipette Adjustment Kit come in a portable hard case to avoid any accidental damage, and can be easily transported or stored when not in use.

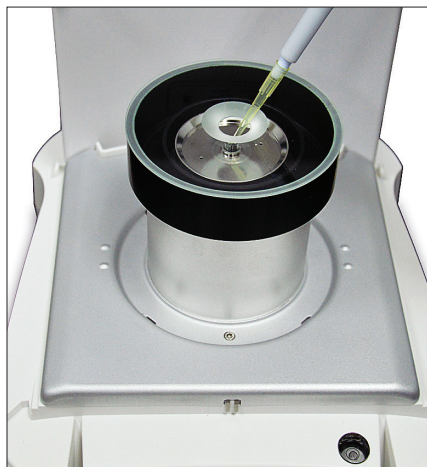
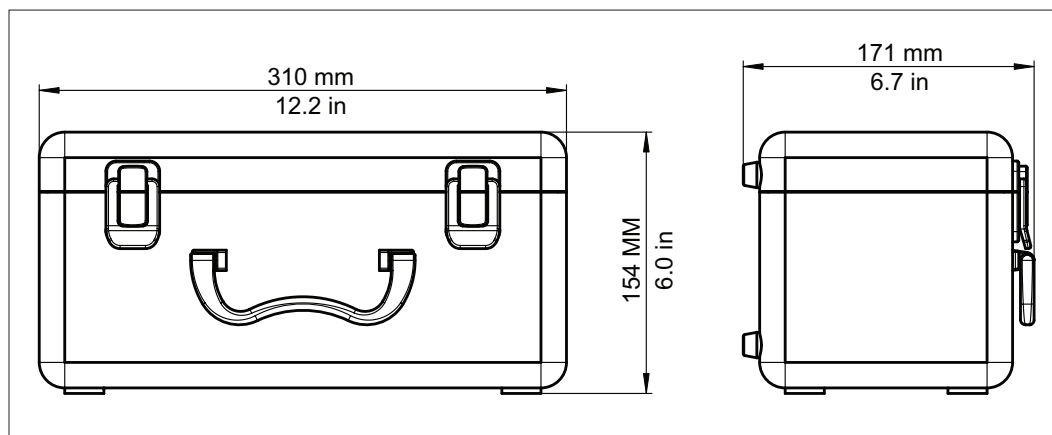
Pipette Adjustment Kit Accessory

Pipette Adjustment Kit for the Explorer® Semi-Micro Balance	
Item Number	30252145
Application	Pipette Adjustment
Trap Capacity	45 ml (max.)
Reservoir/Container	120 ml
Minimum Dispensed Volume	≥100 µl
Shipping Weight	1.1 kg with carrying case
Shipping Dimensions (W × L × H)	1.3 in × 0.6 in × 1.3 in / 33 mm × 16 mm × 33 mm

Other Standard Features and Equipment

Glass plate cover, aluminum trap, wind ring, aluminum reservoir

Dimensions



Distributed by:
Safety Emporium
PO Box 1003
Blackwood, NJ 08012
Ph: (866) 326-5412 toll-free
Fax: (856) 553-6154
esupport@safetyemporium.com
www.safetyemporium.com

OHAUS CORPORATION
* 7 Campus Drive
Suite 310
Parsippany, NJ 07054 USA
Tel: 800.672.7722
973.377.9000
Fax: 973.944.7177

www.ohaus.com

*With offices throughout
Europe, Asia and
Latin America*

*ISO 9001:2008
Registered Quality
Management System

80775082 © Copyright OHAUS Corporation

