



SF40A

Impact Printer



Distributed by:
Safety Emporium
PO Box 1003
Blackwood, NJ 08012
Ph: (866) 326-5412 toll-free
Fax: (856) 553-6154
esupport@safetyemporium.com
www.safetyemporium.com

OHAUS Value in a Full-Featured, Portable Printer

The all-new SF40A combines high performance and multiple functions to offer OHAUS quality and durability in a portable dot-matrix impact printer. The SF40A offers advanced functionality in an easy-to-use and set up printer at an exceptional value. This versatile printer is ideal for use in conjunction with OHAUS balances and scales in laboratory, industrial, and educational applications to ensure accurate documentation of weighing results.

Standard Features Include:

- **Multiple Application Modes and Features Support the Data Reporting Process** — SF40A is equipped with statistics and totalization modes that provide additional functionality for QA/QC and reporting processes. SF40A also offers a real-time clock with battery backup and date and time on printouts.
- **Easy Setup And Configuration Eliminate Wasted Time** — Don't let your printer inhibit the efficiency of your weighing process. OHAUS balances and scales improve productivity and increase throughput and SF40A speeds recordkeeping to keep your job on track and get it completed as proficiently as possible. PC configuration software makes connecting the printer between balance or scale and computer a fast and convenient process and also makes setting up date, time, and baud rate hassle-free. The SF40A combined with GLP/GMP data output can help meet traceability and compliance requirements.
- **Multi-Language Printing Supports Universal Operation** — SF40A supports printing in the language of the connected device in 13 different languages.

SF40A Impact Printer

Model	SF40A
Number of Characters per Line	40
Print Speed	Approximately 1.2 lines per second
Application Modes	Totalization, Statistics (Statistics printout includes number of samples, average value, standard deviation, minimum, maximum, min-max differential, and total sample weight sum)
Paper Roll (W x Dia.)	Standard paper 2.26 in. to 2.36 in. Ø max / 57.5 mm to 60 mm Ø max.
Power Requirements	AC adapter Input: 100 – 240 VAC, 50 - 60 Hz AC adapter output: 12 VDC, 2.5 A
Interface	RS232C
Ambient Operating Temperature	32 °F – 104 °F / 0 °C – 40 °C
Printer Dimensions (W x L x H)	5.5 x 8.1 x 2.9 in. / 140 x 205 x 75 mm
Net Weight	1.6 lb / 0.7 kg (Paper roll included)
Shipping Weight	1.8 lb. / 0.8 kg

Other Standard Features

Status indicator, compatible with continuous label paper, perform zero and tare operations directly from the printer. Full functionality with Discovery, Adventurer™ Pro, Explorer®, Navigator®, MB Series Moisture Analyzers, Trooper®, Ranger®, Valor™ 7000, Defender™ bench and floor scales and "T" Series indicators. Statistics and Totalization not supported on other OHAUS products with RS232.

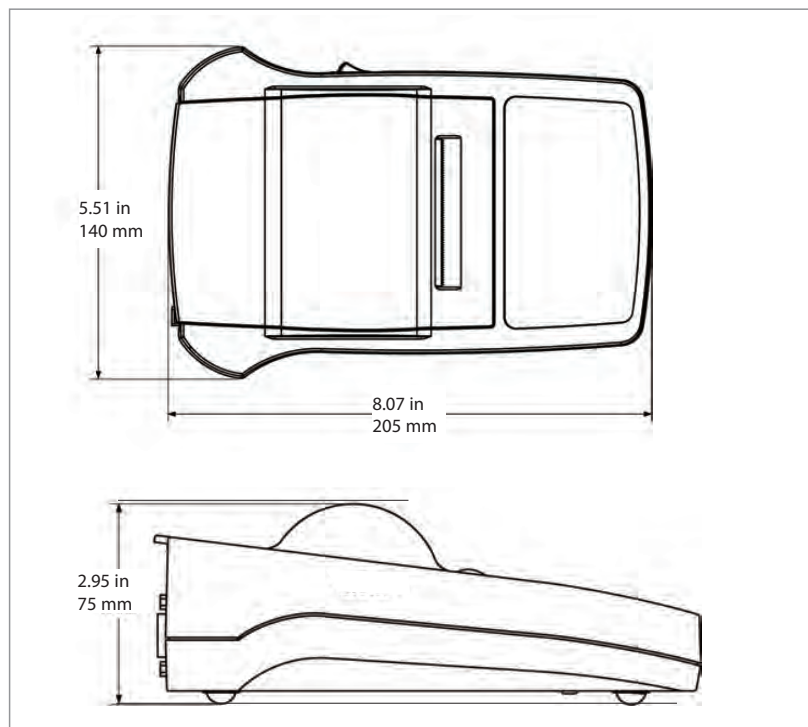
Multi-Language Printing: English, Spanish, French, German, Italian, Chinese, Korean, Japanese, Russian, Polish, Portuguese, Hungarian and Czech.

Accessories

Paper (Included).....	12120799
Paper Rotary Axis (Included)	30063920
Ink Ribbon (Included).....	12120798
Printer Cable for Discovery, Explorer, Adventurer Pro, Pioneer™, MB 45/35/25/23, Ranger, Trooper, Valor 7000, "T" Series dry-use "P" indicators & associated Defender bench scales (Included).....	12122603
Cable Adapter (Included).....	30059316
Printer Cable Adapter for Voyager® Pro, Explorer® Pro (Not Included)	30064209
Printer Cable for CKW and "T" Series washdown "XW" indicators and associated Defender bench scales (Not Included).....	80500552
Power Cable AU, SF40A (Not Included).....	12120313

Distributed by:
Safety Emporium
 PO Box 1003
 Blackwood, NJ 08012
 Ph: (866) 326-5412 toll-free
 Fax: (856) 553-6154
esupport@safetyemporium.com
www.safetyemporium.com

Outline Dimensions



OHAUS CORPORATION

* 7 Campus Drive
 Suite 310
 Parsippany, NJ 07054 USA

Tel: 800.672.7722
 973.377.9000

Fax: 973.944.7177

www.ohaus.com

With offices throughout Europe,
 Asia, and Latin America

* ISO 9001
 Registered Quality Management System

80774637A © Copyright OHAUS Corporation

