

CSST-010100 Fire Extinguisher Cabinet, Surface Mounted, Powder Coated Steel



Shown with Oval model 10J-ABC fire extinguisher (sold separately).

Application: Surface mounted powder coated steel cabinet for use with Oval Model 10J-ABC low-profile fire extinguisher (sold separately).

Mounting: Cabinet is surface mounted on wall (mounting hardware not included). Installation does not require cutting into or modifying wall, making it the best option for retrofit applications.

Accessibility: Cabinet complies with 4" (102mm) limit for protruding objects as required by the Americans with Disabilities Act, 2010 ADA Standards for Accessible Design, International Building Code and ANSI/ICC A117.1.

Cabinet: Fully welded 16 gauge cold rolled steel with a white powder coated finish as standard. Additional colors available as option (see below).

Tub: 22 gauge tub with white powder coated finish.

Door: 16 gauge steel door with continuous steel piano hinge. Door has 1-1/4" (32mm) trim, (2) self-adjusting roller catches and black plastic recessed handle. Door opens 180 degrees. Cabinet is reversible so handle can be on either left or right side.

Window/Lock: Furnished with full acrylic window and without lock as standard. See below for additional window and lock options.

Lettering: Furnished without lettering as standard. See below for lettering options.

Ordering Information



Finish Options

- 01 White steel
- 02 Black steel
- 03 Red steel

Window/Lock Options
(See notes below)

- 01 Full window
- 02 Full window with lock
- 03 Vertical half window
- 04 Vertical half window with lock
- 05 Solid door
- 06 Solid door with lock
- 07 Solid door with cylinder lock, less handle

Lettering Options

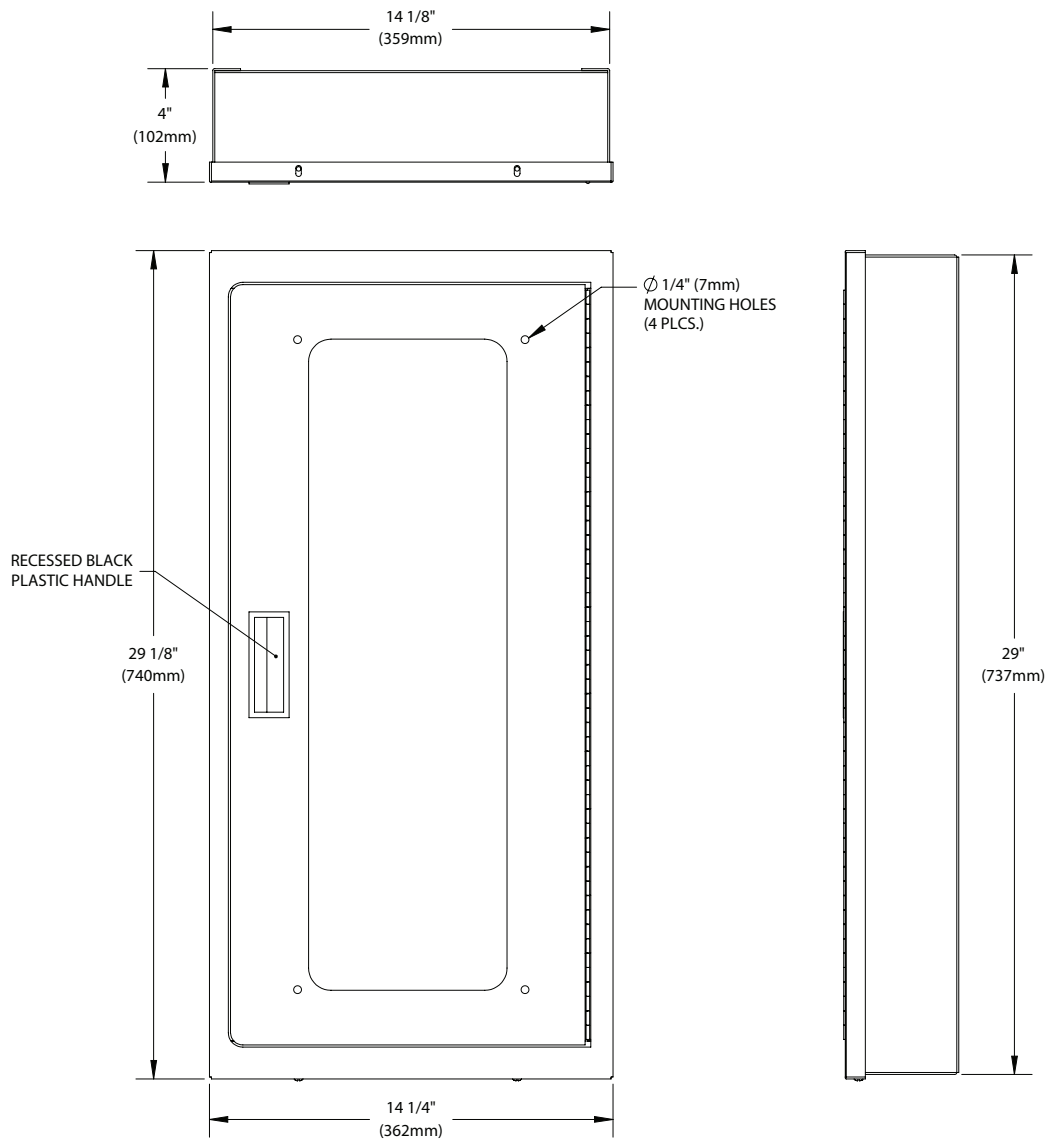
- 00 Without lettering (standard)
- 01 Vertical decal, clear with red letters
- 02 Vertical decal, clear with white letters
- 03 Vertical decal, clear with black letters
- 04 Vertical die-cut, red letters
- 05 Vertical die-cut, white letters
- 06 Vertical die-cut, black letters
- 07 Vertical die-cut, red ascending letters
- 08 Vertical die-cut, white ascending letters
- 09 Vertical die-cut, black ascending letters

Distributed by:
 Safety Emporium
 PO Box 1003
 Blackwood, NJ 08012
 Ph: (866) 326-5412 toll-free
 Fax: (856) 553-6154
esupport@safetyemporium.com
www.safetyemporium.com

Notes:

1. Standard window is clear acrylic. For tempered glass window, add prefix "G" in place of "0" above.
2. Lock permits opening in case of fire by pulling firmly. Breaking glass to open is not required.

CSST-010100 Fire Extinguisher Cabinet, Surface Mounted, Powder Coated Steel



Surface Mount Cabinet Dimensions

Tub ID			Frame OD	
Width	Height	Depth	Width	Height
14" (356mm)	28-7/8" (733mm)	3-7/8" (98mm)	14-1/4" (362mm)	29-1/8" (740mm)

THIS SPACE FOR ARCHITECT/ENGINEER APPROVAL

Distributed by:
 Safety Emporium
 PO Box 1003
 Blackwood, NJ 08012
 Ph: (866) 326-5412 toll-free
 Fax: (856) 553-6154
 esupport@safetyemporium.com
 www.safetyemporium.com

Due to continuing product improvement, the information contained in this document is subject to change without notice. All dimensions are ± 1/4" (6mm). Rev. 111119

CSSS-040100 Fire Extinguisher Cabinet, Surface Mounted, Stainless Steel



Shown with Oval model 10J-ABC fire extinguisher (sold separately).

Application: Surface mounted stainless steel cabinet for use with Oval Model 10J-ABC low-profile fire extinguisher (sold separately).

Mounting: Cabinet is surface mounted on wall (mounting hardware not included). Installation does not require cutting into or modifying wall, making it the best option for retrofit applications.

Accessibility: Cabinet complies with 4" (102mm) limit for protruding objects as required by the Americans with Disabilities Act, 2010 ADA Standards for Accessible Design, International Building Code and ANSI/ICC A117.1.

Cabinet: Fully welded 16 gauge stainless steel with a #4 polished finish.

Tub: 22 gauge stainless steel tub.

Door: 16 gauge stainless steel door with continuous stainless steel piano hinge. Door has 1-1/4" (32mm) trim, (2) self-adjusting roller catches and black plastic recessed handle. Door opens 180 degrees. Cabinet is reversible so handle can be on either left or right side.

Window/Lock: Furnished with full acrylic window and without lock as standard. See below for additional window and lock options.

Lettering: Furnished without lettering as standard. See below for lettering options.

Ordering Information

C S S S - 0 4 0 1 0 0

Finish Options

04 #4 Polished stainless steel

Window/Lock Options (See notes below)

- 01 Full window
- 02 Full window with lock
- 03 Vertical half window
- 04 Vertical half window with lock
- 05 Solid door
- 06 Solid door with lock
- 07 Solid door with cylinder lock, less handle

Lettering Options

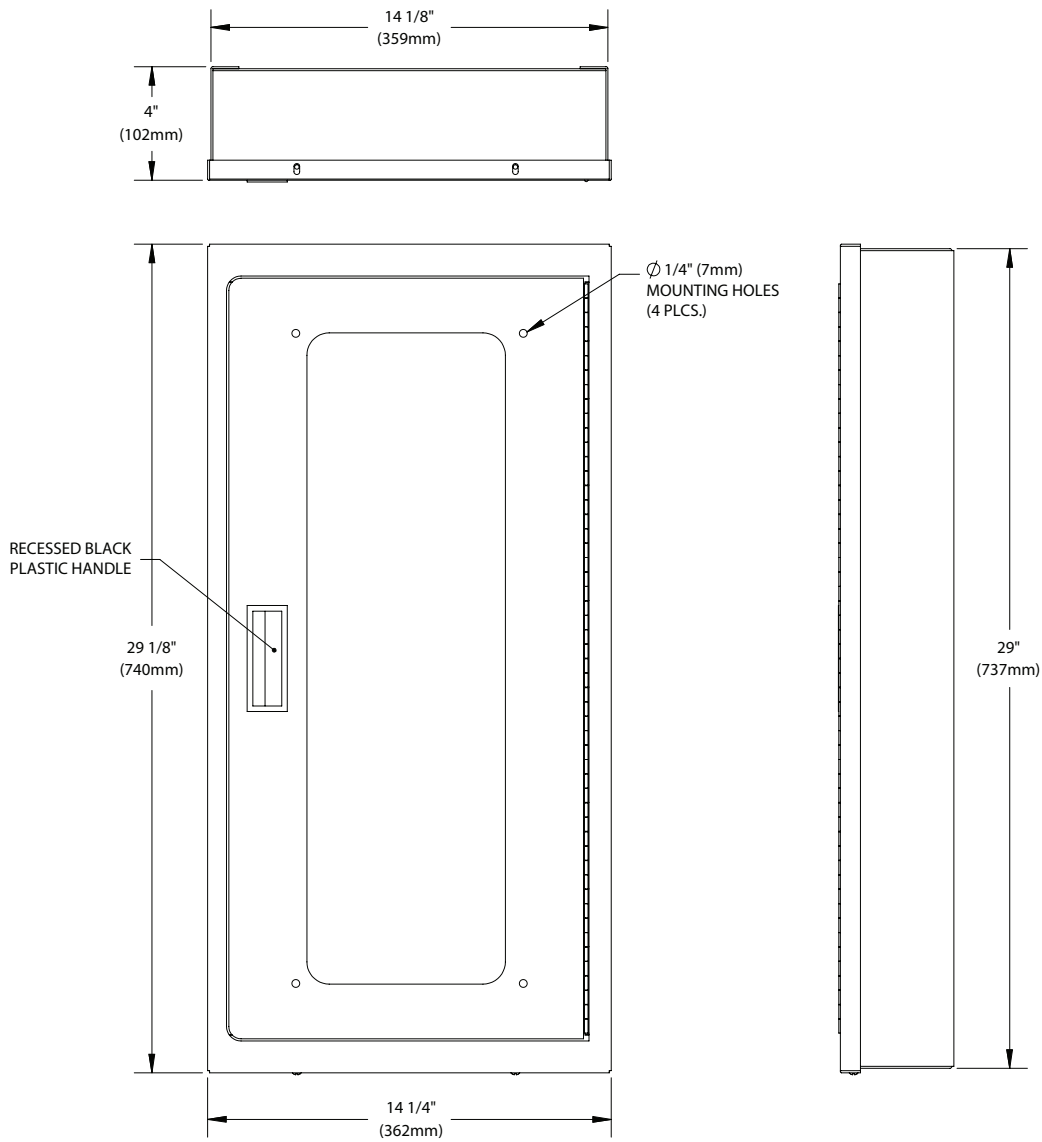
- 00 Without lettering (standard)
- 01 Vertical decal, clear with red letters
- 02 Vertical decal, clear with white letters
- 03 Vertical decal, clear with black letters
- 04 Vertical die-cut, red letters
- 05 Vertical die-cut, white letters
- 06 Vertical die-cut, black letters
- 07 Vertical die-cut, red ascending letters
- 08 Vertical die-cut, white ascending letters
- 09 Vertical die-cut, black ascending letters

Distributed by:
 Safety Emporium
 PO Box 1003
 Blackwood, NJ 08012
 Ph: (866) 326-5412 toll-free
 Fax: (856) 553-6154
esupport@safetyemporium.com
www.safetyemporium.com

Notes:

1. Standard window is clear acrylic. For tempered glass window, add prefix "G" in place of "0" above.
2. Lock permits opening in case of fire by pulling firmly. Breaking glass to open is not required.

CSSS-040100 Fire Extinguisher Cabinet, Surface Mounted, Stainless Steel



Surface Mount Cabinet Dimensions

Tub ID			Frame OD	
Width	Height	Depth	Width	Height
14" (356mm)	28-7/8" (733mm)	3-7/8" (98mm)	14-1/4" (362mm)	29-1/8" (740mm)

THIS SPACE FOR ARCHITECT/ENGINEER APPROVAL

Due to continuing product improvement, the information contained in this document is subject to change without notice. All dimensions are ± 1/4" (6mm). Rev. 111119

Distributed by:
 Safety Emporium
 PO Box 1003
 Blackwood, NJ 08012
 Ph: (866) 326-5412 toll-free
 Fax: (856) 553-6154
 esupport@safetyemporium.com
 www.safetyemporium.com